

get started

INSTANT™ **VORTEX™** SLIM
AIR FRYER 5.7 L
USER MANUAL

Instant™

Welcome

to your new Instant™ Vortex™ Slim Air Fryer!

This Instant Vortex Slim Air Fryer can help you cook delicious meals with less oil and less hassle. We hope you fall in love with Instant air frying and enjoy it in your kitchen for years to come!

Get started with your Vortex Slim Air Fryer!



Scan to Get Started!

To make your cooking experience with Instant as easy as possible, we have created 4 simple steps with how-to videos to guide you. Scan the QR code and follow the steps to become an Instant Chef in no time!

www.instantbrands.co.uk/get-started



Download the **Instant Brands® Connect app** to access 100's of recipe ideas.



Visit the **Instant Brands UK YouTube channel** for how-to videos and recipe inspiration.



Connect with the **Instant Pot UK Facebook Community**, and be inspired with cooking tips, tricks and recipes from this active group of Instant chefs!

⚠ WARNING

Before using your new Vortex, read all instructions, including the Safety and Warranty document. Failure to follow the safeguards and instructions may result in personal injury and/or property damage.

CONTENTS

Important safeguards	2
What's in the box	7
Using your Vortex	8
Initial setup	11
Cooking	13
Smart programmes	15
Troubleshooting	18
Error codes	19
Learn more	20
Product specifications	20
Warranty	21

IMPORTANT SAFEGUARDS

WARNING

READ ALL INSTRUCTIONS

Placement

DO place the appliance on a countertop only. Always operate the appliance on a stable, non-combustible, level surface.

DO NOT place the appliance on or close to a hot gas or electric burner, or a heated oven.

DO NOT use the appliance near water or flame.

DO NOT use outdoors. Keep out of direct sunlight.

DO NOT place on anything that may block the vents on the appliance.

DO make sure all parts are dry and free of food debris before use.

General Use

DO NOT touch the appliance's hot surfaces, or any accessories during or immediately after cooking because they will be hot.

DO use the appliance's handles and knobs.

DO use oven mitts when removing accessories.

DO place hot accessories on a heat-resistant surface or cooking plate.

DO NOT cover the air frying basket or any part of the appliance with foil. This will cause the oven to overheat.

DO NOT move the appliance while it is in use.

⚠ WARNING

DO NOT allow children or persons with reduced physical, sensory or mental capabilities to operate this appliance. Close supervision is necessary when any appliance is used near children and individuals with reduced capabilities. Children should not play with this appliance.

DO NOT use the appliance for anything other than household use. It is not intended for commercial use.

DO NOT leave the appliance unattended while in use.

DO NOT use the appliance for more than 60 minutes in a 2-hour period.

Air Frying Cautions

When the air fryer is in operation, hot air is released through the air vents. Keep your hands and face at a safe distance from the air vents and take extreme caution when removing hot accessories from the appliance. Failure to do so may result in personal injury or property damage.

While cooking, the internal temperature of the appliance reaches several hundred degrees. To avoid personal injury, never place unprotected hands inside the appliance until it has cooled to room temperature.

DO NOT use a ceramic-coated or stoneware pot for air frying.

DO NOT block the vents on the air fryer. Leave at least 13 cm of space around the air fryer when in use.

DO NOT place the appliance on a hot stove.

DO NOT operate the appliance on or near combustible materials such as tablecloths and curtains.

DO NOT cover the air vents while the air fryer is in operation. Doing so will prevent even cooking and may cause damage to the appliance.

⚠ WARNING

DO NOT overfill the air fryer. Overfilling may cause food to contact the heating element, which may result in personal injury, fire, and/or property damage.

DO NOT pour oil into the cooking container. If needed, spray food lightly with non-stick cooking spray. Using cooking oil could result in personal injury and/or property damage.

DO use caution with cooking containers made of materials other than metal or glass. Failure to do so may result in fire, personal injury, fire and/or property damage.

Should the unit emit black smoke during use, press **Cancel** and unplug the appliance immediately. Wait for smoking to stop before opening the basket, wait for the unit to cool, then clean thoroughly. For further information refer to 'Troubleshooting' in this User Manual.

DO use extreme caution when moving the appliance containing oils or other hot liquids.

DO use extreme caution when removing the tray or disposing of hot grease.

DO NOT use this appliance for deep frying foods.

Accessories

DO use only accessories or attachments authorised by Instant Brands LLC. The use of parts, accessories or attachments not recommended by the manufacturer may cause a risk of electric shock or other personal injury, fire, and/or property damage.

DO NOT use the included accessories in a microwave, toaster oven, convection or conventional oven, or on a ceramic cooktop, electric coil, gas range or outdoor grill.

⚠ WARNING

Care and Storage

DO let the appliance cool to room temperature before cleaning or storage.

DO NOT store any materials in the appliance when not in use.

DO NOT place any combustible materials in the appliance, such as paper, cardboard, plastic, Styrofoam or wood.

DO NOT clean the appliance with metal scouring pads or steel wool. Pieces can break off and touch the electrical parts, causing a risk of electric shock, burns or other personal injury.

Power Cord

A short power-supply cord is provided to reduce the hazards resulting from grabbing, entanglement and tripping. This appliance has a 3-prong earthed plug. To reduce the risk of electric shock:

ONLY plug the power cord into an earthed electrical outlet.

DO NOT remove EARTH.

DO NOT let the power cord hang over edges of tables or counters, or touch hot surfaces or open flame, including the stovetop.

DO NOT use below-counter power outlets.

DO NOT use with extension cords, power converters or adapters, timer switches or separate remote-control systems.

Electrical Cautions

The appliance contains electrical components that are an electrical shock hazard. Failure to follow these instructions may result in electric shock and/or death.

To avoid electrical shock:

To disconnect, select **Cancel**, then remove plug from power source. Always unplug when not in use, as well as before adding or removing parts or accessories, and before cleaning. To unplug, grasp the plug and pull from the outlet. Never pull from the power cord.

⚠ WARNING

DO allow unit to cool before adding or removing parts or accessories.

DO regularly inspect the appliance and power cord.

DO NOT operate the appliance if the power cord or plug is damaged, or after the appliance malfunctions or is dropped or damaged in any manner. For assistance, contact Customer Care by email at **UKsupport@instantbrands.com** (if located in the UK) or **EUsupport@instantbrands.com** (if located in the EU).

DO NOT attempt to dislodge food while the appliance is plugged into an electrical outlet, as this may cause electric shock, burns, or other personal injury, and/or property damage.

DO NOT attempt to repair, replace or modify components of the appliance, as this may cause electric shock or other personal injury, fire and/or property damage, and will void the warranty.

DO NOT tamper with any of the safety mechanisms, as this may result in personal injury and/or property damage.

DO NOT immerse power cord, plug or the appliance in water or other liquid.

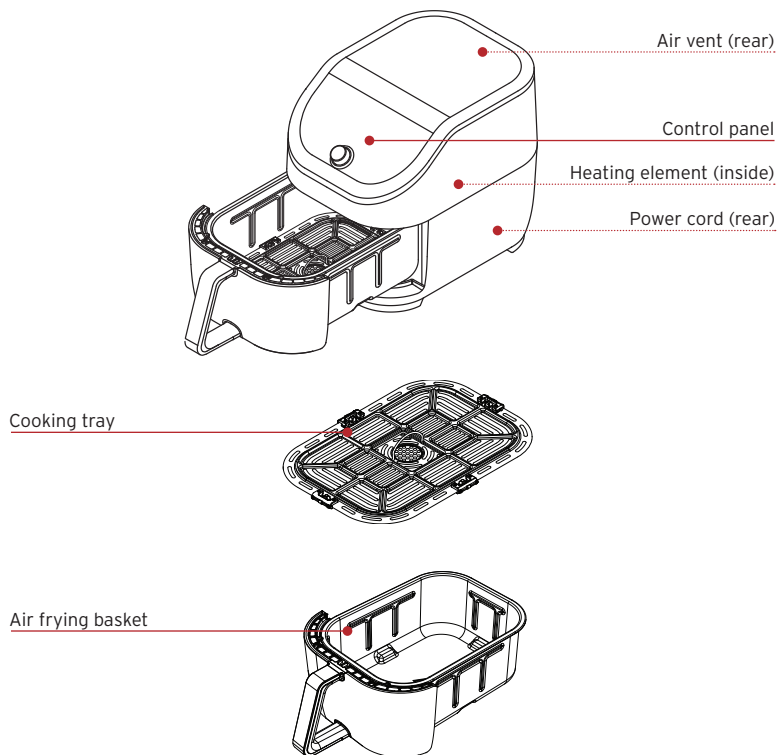
DO NOT rinse the appliance under tap.

DO NOT use the appliance in electrical systems other than 220-240 V ~ 50-60 Hz.

SAVE THESE INSTRUCTIONS

WHAT'S IN THE BOX

Air Fryer



Illustrations are for reference only and may differ from the actual product.

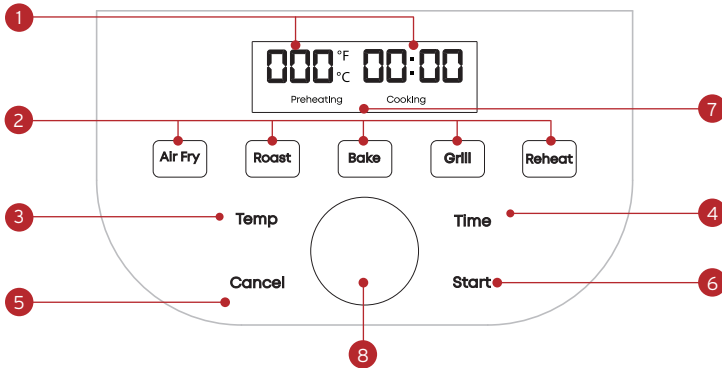
Remember to recycle!

We designed this packaging with sustainability in mind. Please recycle everything that can be recycled where you live.

USING YOUR VORTEX

Control panel

We've designed the control panel to be simple to use and easy to read.



1. Time/Temperature
 - Cooking time
 - Cooking temperature
2. Smart Programmes
 - Air Fry
 - Roast
 - Bake
 - Grill
 - Reheat
3. Temperature
4. Time
5. Cancel
6. Start
7. Progress Messages
8. Control Dial

Turning sound On/Off

- When the display shows OFF, press and hold **Temp** and **Time** buttons for 5+ seconds, until the display shows **S Off** or **S On**.

Audible safety alerts (beeps) cannot be turned off.

Choosing temperature unit

Choose which cooking temperature unit you would like to use, Fahrenheit or Celsius.

- When the display shows OFF, press and hold the **Temp** button for 5+ seconds, until display shows °F or °C.

Save custom settings

You can set and save custom time and temperature settings for any of the five *Smart Programmes*.

1. Select the Smart Programme you want to set.
2. Press the **Time** or **Temp** buttons and turn the Control Dial to change the time and temperature.
3. Press **Start Button** to confirm change.

The next time you use that Smart Programme the new temperature or time is used. Adjustments made after cooking begins are not saved.

Reset Smart Programmes to original settings

Reset individual Smart Programmes

- When the display shows OFF, press and hold one of the Smart Programme buttons until the cooker returns to Ready.

Reset all Smart Programmes

- When the display shows OFF, press and hold the **Control Dial** for over 3 seconds to reset device to its factory settings.

All Smart Programme cooking times and temperatures are restored to the factory default setting.

Cancel active cooking programme

You can cancel any cooking programme at any time.

- When the display shows OFF, Preheating or active cooking programme, press **Cancel**. Depending on the temperature of the unit, the internal fan may keep running to cool the unit.

INITIAL SETUP

Unpack

1. Remove your new Vortex Slim air fryer from the box.
2. Remove all the packaging material from in and around the air fryer.
3. Make sure to remove all the accessories from inside the cooking chamber.
4. Don't remove the rating label from the air fryer.

Clean before use

1. Wipe the interior with a damp cloth. Use a clean, soft cloth to dry.
2. Wash the accessories with hot water and dish soap. Rinse with warm, clear water and use a soft cloth to dry.

Placement

1. Place your Vortex Slim air fryer on a stable, level surface, away from combustible material and external heat sources. Do not place your air fryer on top of another appliance.
2. Make sure to leave at least 13 cm of space above and around all sides of the appliance to allow for sufficient air flow.

Test run

Before using your new Vortex Slim air fryer for the first time, you must perform a test run to ensure everything is working correctly.

To perform a test run:

1. Plug the air fryer into an electrical outlet. The display will show OFF.
2. Insert the cooking basket, but do not add food.
3. Select the Air Fry programme.
4. Select the cooking temperature (205°C).
5. Select the cooking time (18 minutes).
6. When the display shows **Add Food**, just remove and reinsert the cooking basket (do not add any food).
7. When the display shows **Turn Food**, wait 10 seconds for the programme to resume.
8. After the cooking programme ends, allow the unit to cool down.

Now you're ready to cook a meal in your Instant Vortex Slim air fryer!

COOKING

The Vortex Slim air fryer uses rapid air circulation to crisp or cook food, giving your meals all the rich, crispy flavour of deep frying, with little to no oil.

⚠ WARNING

HOT SURFACES

The air fryer will be hot during and after cooking. Always exercise extreme caution when removing food from the hot cooking chamber. Touching hot surfaces may result in personal injury, and/or property damage.

MUST ALLOW AIR FLOW

To prevent personal injury and/or property damage, do not block air intake or air vents.

What to cook in

The air frying basket with perforated cooking tray allows air to flow under and around your food, and should be used for most foods, like wings and cauliflower bites.

For the Baking programme only, you can use an oven-safe metal or glass baking dish to hold things like batter for cakes and dough for breads. Place the baking dish inside the air frying basket for baking.

You can place food right on the cooking tray, without using foil or other coverings.

Prep

Cut, chop, season, marinate or batter your ingredients according to your recipe.

Cook

1. Insert the air frying basket into the cooker.

When the air frying basket is inserted securely, the front of the basket is flush with the front of the cooker.

2. Press **Air Fry**.

3. Press **Temp/Time** to adjust the temperature and cooking time.
4. Press **Start** to begin. The display shows **Preheating** to indicate that the cooking program has started.

See page 10 to adjust Smart Programme settings.

Add food

1. When the cooker passes the preheating phase, the display shows **Add Food**.
2. Remove the basket, and carefully insert your food into the basket.
3. Reinsert the air frying basket into the cooker and the cooking countdown timer starts.

Turn

1. Part way through the cooking cycle the display shows **Turn Food**.
2. Remove the air fryer basket from the unit and carefully turn, flip, or rotate your food.

*If you do not remove the basket after **Turn Food** displays, cooking will proceed after 10 seconds.*

3. Insert the air frying basket into the cooker. Cooking continues.

Finish

- When the Smart Programme completes, the appliance beeps, and the display shows **End**.

*The "Food-Ready" beep will come up 1 minute later after **End** (and will beep each minute for 10 minutes total) if the basket/door is not open.*

SMART PROGRAMMES

Air Fry

You can air fry foods like chips, cauliflower bites, wings, nuggets and more.

Setting	Default	Minimum	Maximum
Temperature	205°C	82°C	205°C
Cooking Time	15 minutes (00:15)	1 minute (00:01)	1 hour (01:00)

To air fry

- Follow the basic instructions for Air Frying.
- Select “Air Fry” as the Smart Programme.

Roast

You can roast foods like beef, lamb, pork, poultry, vegetables and scalloped potatoes, for a deliciously tender inside and browned outside.

Setting	Default	Minimum	Maximum
Temperature	193°C	82°C	205°C
Cooking Time	18 minutes (00:18)	1 minute (00:01)	1 hour (01:00)

To roast

- Follow the basic instructions for Cooking.
- Select “Roast” as the Smart Programme.

Bake

You can bake foods like breads, cakes, pastries and buns, with the Vortex Slim as your own “mini oven”.

Setting	Default	Minimum	Maximum
Temperature	185°C	82°C	205°C
Cooking Time	30 minutes (00:30)	1 minute (00:01)	1 hour (01:00)

To bake

- Follow the basic instructions for Cooking.
- Select “Bake” as the Smart Programme.
- There is no need to turn the food partway through cooking.

Leave approximately 2.5 cm of space around all sides of the baking dish to allow heat to circulate evenly.

Grill

Grilling cooks using direct top-down heating, perfect for melting cheese on French onion soup, and nachos.

Setting	Default	Minimum	Maximum
Temperature	205°C	Not adjustable	Not adjustable
Cooking Time	6 minutes (00:06)	1 minute (00:01)	40 minutes (00:40)

To grill

- Follow the basic instructions for Cooking.
- Select “Grill” as the Smart Programme.
- There is no need to turn the food partway through cooking.

Reheat

Bring the crisp and crunch back to leftover chips and pizza in just a few minutes.

Setting	Default	Minimum	Maximum
Temperature	138°C	149°C	182°C
Cooking Time	10 minutes (00:10)	1 minute (00:01)	1 hour (01:00)

To reheat

- Follow the basic instructions for Cooking.
- Select “Reheat” as the Smart Programme.

Once this Smart Cooking function starts, the display will show the target temperature and cooking time immediately, there's no preheating time.

CLEANING

Clean your Vortex Slim air fryer after each use. Always unplug the unit and let all parts cool to room temperature before cleaning. Before use or storing, make sure all surfaces are dry.

⚠ WARNING

To prevent electric shock, unplug before cleaning.

DO NOT immerse power cord, plug or the appliance in water or other liquid, which may result in electric shock.

Part	Cleaning instructions
Cooking tray	<ul style="list-style-type: none">• Dishwasher safe.*• The cooking trays have a non-stick coating. Avoid using metal utensils when cleaning.• Avoid using harsh cleaners.
Removable air fryer basket	<ul style="list-style-type: none">• Dishwasher safe.*• The basket has a non-stick coating. Avoid using metal utensils when cleaning.• Avoid using harsh cleaners.
Cooking chamber	<ul style="list-style-type: none">• Clean with a damp cloth and mild dish soap.• Always check the heating coil and cooking chamber walls for oil spatter and food debris, and clean as needed.• Ensure the heating coil is dry before turning on the air fryer.• To remove baked-on grease and food residue from the cooking chamber, spray with a mixture of baking soda and vinegar and wipe clean with damp cloth. For stubborn stains, allow the mixture to sit on the affected area for several minutes before scrubbing clean.
Power cord	<ul style="list-style-type: none">• Clean with a soft, damp cloth or sponge. Wipe dry.

**Some discolouration may occur after machine washing, but this will not affect the cooker's safety or performance.*

TROUBLESHOOTING

Problem	Cause	Solution
Air fryer will not turn on	The appliance is not properly plugged in.	<ul style="list-style-type: none"> • Make sure the power cord is plugged into the outlet firmly.
	Outlet is not powered.	<ul style="list-style-type: none"> • Plug another appliance into the same outlet to test the circuit.
	The air frying basket isn't fully inserted.	<ul style="list-style-type: none"> • Make sure the air frying basket is fully inserted.
Black smoke is coming from the air fryer	Using an oil with a low smoke point.	<ul style="list-style-type: none"> • Cancel the Smart Programme, unplug the cooker and allow it to cool to room temperature. • Choose a neutral oil with a high smoke point, such as Canola, Avocado, Soybean, Safflower, or Rice Bran.
	Food residue on the heating coil, in the cooking chamber or on the accessories.	<ul style="list-style-type: none"> • Cancel the Smart Programme, unplug the cooker and allow it to cool to room temperature. • Remove all accessories from the cooking chamber and clean the cooking chamber and all accessories thoroughly.
	Appliance malfunction.	<ul style="list-style-type: none"> • Contact Customer Care.
White smoke is coming from the air fryer	Cooking foods with a high fat content, such as bacon, sausages, and hamburgers.	<ul style="list-style-type: none"> • Avoid air frying foods with a high fat content. Check the cooking chamber for excess oil and/or fat and carefully remove as needed before air frying.
	Water is vaporising, producing thick steam.	<ul style="list-style-type: none"> • Pat dry moist food ingredients before air frying. • Do not add water or other liquid to the cooking chamber when air frying.
	Seasoning on food has blown into element	<ul style="list-style-type: none"> • Be mindful when seasoning food. Spray vegetables and meats with oil before seasoning to help the seasoning stick.

ERROR CODES

If the control panel displays an error code from this list, there is an issue with the air fryer. Here are the actions you should take to fix the problem.

Problem	Cause	Solution
E1	Open circuit.	• Contact Customer Care.
E2	Temperature sensor short circuit.	• Contact Customer Care.

LEARN MORE

There's a whole world of Vortex Slim Air Fryer information and help just waiting for you. Here are some of the most helpful resources.

Register your product

instantbrands.co.uk/product-registration

Contact Customer Care

instantbrands.co.uk/support

UKSupport@instantbrands.com

EUSupport@instantbrands.com

Instant Brands® Connect App with 100+ recipes

iOS and Android app stores

Cooking charts and more recipes

instantbrands.co.uk/recipes

Replacement parts and accessories

instantbrands.co.uk/product-category/instant

Join the community



PRODUCT SPECIFICATIONS

Model	Volume	Wattage	Power	Weight	Dimensions
AFB6002BK	5.7 Litres	1700 W	220-240 V ~ 50-60 Hz	4.84 kg	cm: 45.2 L x 25.9 W x 30.1 H

WARRANTY

Instant Brands (EMEA) Limited, Instant Brands (Ireland) Limited, and Instant Brands LLC (collectively the “Company”) warrant this appliance to be free from defects in workmanship and material, under normal household use, for a period of one (1) year from the date of original purchase. This Limited Warranty extends only to the original purchaser and use of the appliance in the UK and EU and must be purchased by an authorised distributor of Instant Brands. This warranty does not cover appliance use outside of the UK and EU.

Proof of original purchase date and, if requested, return of your appliance is required to obtain service under this Limited Warranty. Provided that this appliance is operated and maintained in accordance with the written instructions included with the appliance (which are also available at instantbrands.co.uk), the Company will, at its sole discretion, either: (i) repair defects in materials and workmanship; or (ii) replace the appliance. In the event the appliance is replaced, the Limited Warranty on the replacement appliance will expire 12 months from the date of original consumer purchase (UK only).

The Company is not responsible for shipping costs for warranty service.

Limitation and Exclusions

Any modification or attempted modification to your appliance may interfere with the safe operation of the appliance and may result in serious injury and damage. Any modification or attempted modification to your appliance or any part thereof will void the warranty, unless such modification(s) or alteration(s) were expressly authorised by the Company.

This warranty does not cover (1) normal wear and tear; (2) damage resulting from negligent, unreasonable or misuse of the appliance, improper assembly or disassembly, use contrary to the operating instructions, failure to provide reasonable and necessary maintenance, Acts of God (such as fire, flood, hurricanes and tornadoes), or repair or alteration by anyone, unless expressly directed and authorised by the Company; and (3) repairs where your appliance is used for other than normal household use and in a manner contrary to published user or operator instructions.

To the extent permitted by applicable law, the liability of the Company, if any, for any allegedly defective appliance or part shall be limited to repair or replacement of the appliance or part thereof, and shall not exceed the purchase price of a comparable replacement appliance. Except as expressly provided herein and to the extent permitted by law, (1) the Company makes no warranties, conditions or representations, express or implied, usage, custom of trade or otherwise with respect to the appliance or parts covered by this warranty and (2) the Company shall not be responsible or liable for indirect, incidental or consequential damages arising out of or in connection with the use or performance of the appliance or damages with respect to any economic loss, loss of property, loss of revenues or profits, loss of enjoyment or use, costs of removal, installation or other consequential damages of any nature or kind.

You may have rights and remedies under applicable laws, which are in addition to any right or remedy which may be available under this limited warranty. Some states or provinces do not allow for: (1) the exclusion of implied warranties of merchantability or fitness; (2) limitations on how long an implied warranty lasts; and/or

(3) the exclusion or limitation of incidental or consequential damages; so these limitations may not apply to you. In these states and provinces, you have only the implied warranties that are expressly required to be provided in accordance with applicable law. The limitations of warranties, liability, and remedies apply to the maximum extent permitted by law. This limited warranty gives you specific legal rights, and you may also have other rights which vary from state to state or province to province.

WARRANTY

Please visit instantbrands.co.uk/product-registration/ to register your appliance. You will be asked to provide your name, your email address, the store name, date of purchase, model number and serial number (both of which are found on the appliance). This registration will enable us to keep you up-to-date with product developments and recipes, and contact you in the unlikely event of a product safety notification. By registering, you acknowledge that you have read and understood the instructions for use and warnings accompanying the appliance.

Warranty Service

To obtain warranty service, please contact our Customer Care Department by creating a support ticket online at [Instantbrands.co.uk/support/](https://instantbrands.co.uk/support/). If we are unable to resolve the problem, you may be asked to send your appliance to the Service Department for quality inspection. Instant Brands is not responsible for shipping costs related to warranty service. When returning your appliance, please include your name, mailing address, email address, phone number, and proof of the original purchase date as well as a description of the problem you are encountering with the appliance.

Instant Brands (Ireland) Limited,
Suite 6, Rineanna House, Shannon Free Zone,
Shannon, Co Clare, Ireland, V14 CA36.

Email: EUSupport@instantbrands.com
Telephone: +44 (0) 3331 230051

This warranty was last updated on 1 September 2019 for all products sold from [1 November 2019]. If your product comes with our older warranty version, your warranty will continue to be honoured.

Recycling

This appliance complies with the WEEE Directive 2012/19/EU on the disposal of electrical and electronic equipment (WEEE). This appliance complies with the European directive for electromagnetic compatibility (EMC) 2014/30/EU and its revisions, as well as Low Voltage Directive (LVD) 2014/35/EU and its revisions. This marking indicates that this product should not be disposed of with other household waste throughout the UK and EU. To prevent possible harm to the environment or human health from uncontrolled waste disposal, recycle it responsibly to promote the sustainable re-use of material sources. To return your used device, please use the return and collection systems or contact Customer Care for further recycling and WEEE information.



Instant Brands (EMEA) Limited

1 Christchurch Way, Woking, Surrey,
GU21 6JG, UK

Instant Brands (Ireland) Limited

Suite 6, Rineanna House, Shannon
Free Zone, Shannon, Co Clare,
Ireland, V14 CA36

[instantbrands.co.uk](https://www.instantbrands.co.uk)

© 2022 Instant Brands LLC

INSTANT and INSTANT BRANDS
are registered trademarks of
Instant Brands Holdings Inc.

Lancez-vous

FRITEUSE À AIR INSTANT™
VORTEX™ SLIM 5,7 L
MANUEL DE L'UTILISATEUR

Instant™

Voici

votre nouvelle friteuse à air Instant™ Vortex™ Slim !

Avec cette friteuse à air Instant Vortex Slim, vous cuisinerez en toute facilité de délicieux repas allégés en huile. Nous espérons que votre friteuse à air Instant comblera toutes vos attentes pendant de nombreuses années !

Faites connaissance avec votre friteuse à air Vortex Slim !



Scannez pour commencer !

Pour rendre votre expérience culinaire avec Instant aussi facile que possible, nous avons créé quatre étapes simples, accompagnées de vidéos explicatives pour vous guider. Scannez le code QR et suivez les étapes pour devenir un chef Instant en un tour de main.

www.instantbrands.co.uk/get-started



Téléchargez l'**application Instant Brands® Connect** pour accéder à des centaines d'idées de recettes.



Consultez la chaîne **YouTube Instant Brands UK** pour visionner des vidéos explicatives et trouver l'inspiration.



Rejoignez la **communauté Facebook Instant Pot UK** et trouvez l'inspiration grâce aux conseils, astuces et recettes de cuisine partagés par ce groupe de chefs Instant passionnés !

⚠ AVERTISSEMENT

Avant d'utiliser votre nouvelle Vortex, lisez toutes les instructions, y compris le document Sécurité et garantie. Vous vous exposez à des blessures et/ou des dommages matériels si vous ne respectez pas les précautions de sécurité et les instructions.

TABLE DES MATIÈRES

Précautions essentielles	2
Contenu de l'emballage	7
Utiliser votre Vortex	8
Configuration initiale	11
Cuisson	13
Programmes intelligents	15
Dépannage	18
Codes d'erreur	19
En savoir plus	20
Spécifications du produit	20
Garantie	21



PRÉCAUTIONS ESSENTIELLES

⚠ AVERTISSEMENT

LISEZ TOUTES LES INSTRUCTIONS

Positionnement

POSEZ l'appareil sur un plan de travail uniquement. Utilisez toujours l'appareil sur une surface stable, de niveau et non combustible.

Ne placez **PAS** l'appareil sur ou à proximité d'un brûleur à gaz/électrique ou d'un four chaud.

N'utilisez **PAS** l'appareil à proximité d'eau ou d'une flamme.

N'utilisez **PAS** l'appareil en extérieur. N'exposez pas l'appareil à la lumière directe du soleil.

Ne placez **PAS** l'appareil sur quoi que ce soit qui puisse obstruer les aérations.

VÉRIFIEZ que toutes les pièces sont sèches et exemptes de résidus avant l'utilisation.

Usage général

Ne touchez **PAS** les surfaces chaudes de l'appareil ou les accessoires pendant ou immédiatement après la cuisson, car vous risquez de vous brûler.

UTILISEZ les poignées de l'appareil.

PORTEZ des gants de cuisine pour retirer les accessoires.

POSEZ les accessoires chauds sur une surface résistante à la chaleur ou une plaque de cuisson.

Ne couvrez **PAS** le panier à friture sans huile, ni aucune autre partie de l'appareil, avec de l'aluminium. L'appareil surchaufferait.

Ne déplacez **PAS** l'appareil lorsqu'il est en cours d'utilisation.

⚠ AVERTISSEMENT

Ne laissez **PAS** les enfants ou les personnes présentant des capacités physiques, sensorielles ou mentales réduites utiliser cet appareil. Faites preuve d'une grande vigilance lorsque l'appareil est utilisé près d'enfants et de personnes présentant des capacités réduites. Les enfants ne doivent pas jouer avec cet appareil.

N'utilisez **PAS** cet appareil dans un but autre que domestique. Il n'est pas destiné à un usage commercial.

Ne laissez **PAS** l'appareil sans surveillance lorsqu'il est en cours d'utilisation.

N'utilisez **PAS** l'appareil plus de 60 minutes dans une période de 2 heures.

Précautions concernant la friture sans huile

Lorsque la friteuse à air fonctionne, elle libère de l'air chaud par les orifices d'aération. N'approchez pas le visage et les mains des orifices d'aération et faites très attention lorsque vous retirez des accessoires brûlants de l'appareil. Dans le cas contraire, vous vous exposeriez à des blessures ou des dommages matériels.

Lors de la cuisson, la température interne de l'appareil atteint plusieurs centaines de degrés. Afin d'éviter toute blessure, ne mettez pas les mains sans protection dans l'appareil tant qu'il n'est pas revenu à température ambiante.

N'utilisez **PAS** un récipient en grès ou à revêtement céramique pour la friture sans huile.

N'obstruez **PAS** les aérations de la friteuse à air. Laissez un espace d'au moins 13 cm autour de la friteuse à air pendant l'utilisation.

Ne posez **PAS** l'appareil sur une cuisinière chaude.

N'utilisez **PAS** l'appareil sur des matériaux combustibles, ou à proximité, par exemple une nappe ou des rideaux.

Ne couvrez **PAS** les orifices d'aération lorsque la friteuse à air fonctionne. Cela nuirait à l'homogénéité de la cuisson et pourrait même endommager l'appareil.

⚠ AVERTISSEMENT

Ne remplissez **PAS** excessivement la friteuse à air. Si vous la remplissez trop, les ingrédients risquent de toucher l'élément chauffant et de provoquer des blessures, un incendie et/ou des dommages matériels.

Ne versez **PAS** d'huile dans le compartiment de cuisson. Si nécessaire, vaporisez légèrement les ingrédients avec un spray de cuisson antiadhésif. Si vous utilisez de l'huile de cuisson, vous risquez des blessures et/ou des dommages matériels.

Faites preuve de **VIGILANCE** lorsque vous utilisez des récipients de cuisson fabriqués dans des matériaux autres que du métal ou du verre. Dans le cas contraire, vous vous exposeriez à un risque d'incendie, de blessures et/ou de dommages matériels.

Si l'appareil émet une fumée noire pendant l'utilisation, appuyez sur Cancel (Annuler) et débranchez-le immédiatement. Attendez qu'il ne dégage plus de fumée avant d'ouvrir le panier, laissez l'appareil refroidir, puis nettoyez-le soigneusement. Pour plus d'informations, reportez-vous à la rubrique « Dépannage » de ce manuel.

Faites preuve d'une **GRANDE PRUDENCE** lorsque vous déplacez l'appareil alors qu'il contient de l'huile ou d'autres liquides très chauds.

Faites preuve d'une **GRANDE PRUDENCE** lorsque vous retirez le plateau ou jetez de la graisse chaude.

N'utilisez **PAS** cet appareil pour une friture classique à l'huile.

Accessoires

UTILISEZ uniquement les accessoires ou les pièces autorisés par Instant Brands **LLC**. L'utilisation de pièces ou d'accessoires non recommandés par le fabricant peut entraîner un risque de choc électrique, de blessures, d'un incendie et/ou de dommages matériels.

N'utilisez **PAS** les accessoires inclus dans un four à micro-ondes, un toaster, un four à convection ou traditionnel, ou sur une plaque de cuisson en céramique, une bobine électrique, une gazinière ou un barbecue.

⚠ AVERTISSEMENT

Entretien et stockage

LAISSEZ l'appareil refroidir à température ambiante avant de le nettoyer ou de le ranger.

Ne stockez **PAS** de matériaux dans l'appareil lorsque vous ne l'utilisez pas.

Ne placez **AUCUN** matériau combustible dans l'appareil, par exemple du papier, du carton, du plastique, du polystyrène ou du bois.

Ne nettoyez **PAS** l'appareil avec une éponge métallique ou de la paille de fer. Des morceaux pourraient se détacher et toucher les composants électriques, provoquant un risque de choc électrique, de brûlures ou autres blessures.

Cordon d'alimentation

L'appareil est équipé d'un cordon d'alimentation court pour réduire les risques de s'y accrocher/s'y emmêler et de trébucher dessus. Cet appareil est équipé d'une prise de terre à trois broches. Afin de réduire les risques de choc électrique :

branchez **UNIQUEMENT** le cordon d'alimentation sur une prise secteur mise à la terre.

Ne retirez **PAS LA MISE À LA TERRE**.

Ne laissez **PAS** le cordon d'alimentation pendre au bord d'une table ou d'un plan de travail, ni toucher des surfaces chaudes ou une flamme nue, y compris une cuisinière.

N'utilisez **PAS** de prises d'alimentation situées sous le plan de travail.

N'utilisez **PAS** de rallonges, de convertisseurs ou d'adaptateurs d'alimentation, de minuteries ou de systèmes de contrôle à distance indépendants.

Précautions électriques

L'appareil contient des composants électriques présentant un risque de choc électrique. Si vous ne respectez pas ces instructions, vous vous exposez à un choc électrique et/ou à des blessures mortelles.

⚠ AVERTISSEMENT

Pour éviter tout choc électrique :

Déconnectez l'appareil en sélectionnant Cancel (Annuler), puis débranchez la prise de la source d'alimentation. Débranchez toujours l'appareil lorsque vous ne l'utilisez pas et avant d'installer ou de retirer des pièces ou des accessoires, ainsi qu'avant le nettoyage. Pour débrancher l'appareil, empoignez la fiche et retirez-la de la prise. Ne tirez jamais sur le cordon d'alimentation.

LAISSEZ l'appareil refroidir avant d'installer ou de retirer des pièces ou des accessoires.

INSPECTEZ régulièrement l'appareil et le cordon d'alimentation.

N'utilisez PAS l'appareil si le cordon d'alimentation ou la prise sont endommagés, ou après un dysfonctionnement ou une chute/des dommages de l'appareil. Si vous avez besoin d'aide, contactez le service client par e-mail à l'adresse UKsupport@instantbrands.com (si vous résidez au Royaume-Uni) ou EUsupport@instantbrands.com (si vous résidez dans l'UE).

Ne tentez PAS de retirer des aliments coincés lorsque l'appareil est branché sur une prise électrique, car vous vous exposeriez à un risque de choc électrique, de brûlures ou autres blessures, et/ou de dommages matériels.

Ne tentez PAS de réparer, de remplacer ou de modifier des composants de l'appareil, car vous vous exposeriez à un risque de choc électrique, de blessures, d'incendie et/ou de dommages matériels, et cela annulerait la garantie.

Ne modifiez AUCUN des mécanismes de sécurité, car cela pourrait entraîner des blessures et/ou des dommages matériels.

Ne plongez PAS le cordon d'alimentation, la prise ou l'appareil dans l'eau ou tout autre liquide.

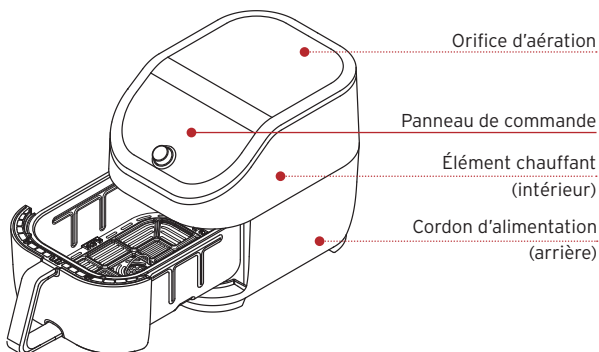
Ne rincez PAS l'appareil au robinet.

N'utilisez PAS l'appareil sur des systèmes électriques autres que 220 - 240 V ~ 50 - 60 Hz.

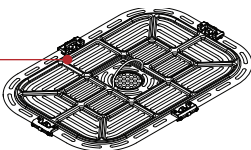
CONSERVEZ CES INSTRUCTIONS

CONTENU DE L'EMBALLAGE

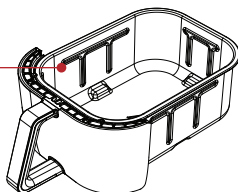
Friteuse à air



Plateau de cuisson



Panier de friture sans huile



Les illustrations sont fournies à titre de référence et peuvent différer du produit réel.

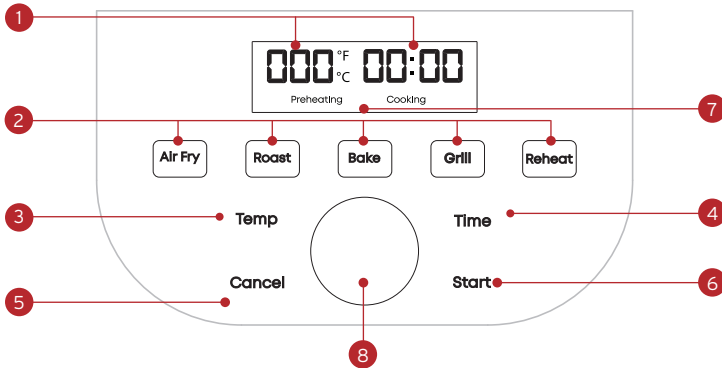
N'oubliez pas de recycler !

Nous avons conçu cet emballage dans un souci de durabilité. Veuillez recycler tout ce qui peut l'être dans la région où vous vivez.

UTILISER VOTRE VORTEX

Panneau de commande

Nous avons conçu le panneau de commande dans un esprit de simplicité d'utilisation et de lecture.



1. Temps/température
 - Temps de cuisson
 - Température de cuisson
2. Programmes intelligents
 - Frir sans huile
 - Rôtir
 - Cuire au four
 - Griller
 - Réchauffer
3. Température
4. Durée
5. Annuler
6. Démarrer
7. Messages de progrès
8. Molette de contrôle

Activer/désactiver le son

- Lorsque l'écran indique **OFF**, appuyez sur les boutons Temp et **Time** pendant au moins 5 secondes, jusqu'à ce que l'écran affiche **S Off** (son désactivé) ou **S On** (son activé).

Vous ne pouvez pas désactiver les alertes de sécurité sonores (bips).

Choisir l'unité de température

Choisissez l'unité de température de cuisson à utiliser, Fahrenheit ou Celsius.

- Lorsque l'écran indique OFF, appuyez sur le bouton Temp pendant au moins 5 secondes, jusqu'à ce que l'écran affiche °F ou °C.

Enregistrer les réglages personnalisés

Vous pouvez configurer et enregistrer des réglages de temps et de température personnalisés pour n'importe lequel des cinq Programmes intelligents.

1. Sélectionnez le programme intelligent à configurer.
2. Appuyez sur le bouton **Time ou Temp** et tournez la molette de contrôle pour modifier la durée et la température.
3. Appuyez sur le bouton **Start** (Démarrer) pour confirmer la modification.

Lors de la prochaine utilisation de ce programme intelligent, la nouvelle température ou le nouveau temps sera utilisé. Les réglages effectués après le début de la cuisson ne sont pas enregistrés.

Réinitialiser les programmes intelligents aux réglages d'origine

Réinitialiser des programmes intelligents individuels

- Lorsque l'écran indique OFF, maintenez enfoncé le bouton de l'un des programmes intelligents jusqu'à ce que l'appareil revienne en mode Ready (Prêt).

Réinitialiser tous les programmes intelligents

- Lorsque l'écran indique OFF, appuyez sur la molette de contrôle pendant plus de 3 secondes pour réinitialiser l'appareil aux paramètres d'usine.

Tous les temps et températures de cuisson des programmes intelligents seront réinitialisés aux réglages d'usine par défaut.

Annuler un programme de cuisson actif

Vous pouvez annuler les programmes de cuisson quand vous le souhaitez.

- Lorsque l'écran indique OFF, Preheating (Préchauffage) ou un programme de cuisson actif, appuyez sur Cancel (Annuler). Selon la température de l'appareil, le ventilateur interne peut continuer à fonctionner pour le refroidir.

CONFIGURATION INITIALE

Déballage

1. Retirez votre nouvelle friteuse à air Vortex Slim de la boîte.
2. Retirez tous les matériaux d'emballage protégeant l'intérieur et l'extérieur de la friteuse à air.
3. Veillez à retirer tous les accessoires de l'intérieur du compartiment de cuisson.
4. Ne retirez pas l'étiquette signalétique de la friteuse à air.

Nettoyage avant utilisation

1. Essuyez l'intérieur avec un chiffon humide. Séchez avec un chiffon doux et propre.
2. Lavez les accessoires à l'eau chaude et au liquide vaisselle. Rincez à l'eau chaude et claire et séchez avec un chiffon doux.

Positionnement

1. Installez votre friteuse à air Vortex Slim sur une surface stable et horizontale, éloignée de tout matériau combustible et de toute source de chaleur externe. Ne placez pas la friteuse à air sur un autre appareil.
2. Veillez à conserver un espace d'au moins 13 cm au-dessus et tout autour de l'appareil afin de laisser circuler un flux d'air suffisant.

Test de fonctionnement

Avant d'utiliser votre friteuse à air Vortex Slim pour la première fois, effectuez un test pour vous assurer que tout fonctionne correctement.

Pour effectuer un test de fonctionnement :

1. Branchez la friteuse à air sur une prise électrique. L'écran indique OFF.
2. Insérez le panier de cuisson, mais sans ajouter d'ingrédients.
3. Sélectionnez le programme Air Fry (Frire sans huile).
4. Réglez la température de cuisson (205 °C).
5. Réglez le temps de cuisson (18 minutes).
6. Lorsque l'écran affiche Add Food (Ajouter des ingrédients) , retirez et réinsérez le panier de cuisson (n'ajoutez pas d'ingrédients).
7. Lorsque l'écran affiche Turn Food (Retourner ingrédients), patientez 10 secondes avant que le programme reprenne.
8. Après la fin du programme de cuisson, laissez l'appareil refroidir.

Vous pouvez à présent préparer un repas avec votre friteuse à air Instant Vortex Slim !

CUISSON

La friteuse à air Vortex Slim applique une circulation d'air rapide pour cuire et faire dorer les aliments, vous permettant de préparer des plats aussi savoureux et croustillants qu'à la friture classique, mais sans huile ou très peu.

⚠ AVERTISSEMENT

SURFACES CHAUDES

La friteuse à air est chaude, pendant et après la cuisson. Faites toujours preuve d'une grande prudence lorsque vous retirez des ingrédients du compartiment de cuisson. Si vous touchez des surfaces chaudes, vous risquez des blessures et/ou des dommages matériels.

ASSUREZ LA CIRCULATION D'UN FLUX D'AIR

Afin d'éviter les blessures et/ou des dommages matériels, n'obstruez pas l'admission d'air, ni les orifices d'aération.

Ingrédients compatibles

Le panier de friture sans huile et les perforations du plateau de cuisson laissent circuler l'air autour et en dessous des aliments, et doivent être utilisés pour la plupart des ingrédients, par exemple des ailes de poulet ou des morceaux de chou-fleur.

Pour le programme Baking (Cuisson au four) uniquement, vous pouvez utiliser un plat de cuisson au four en métal ou en verre pour des ingrédients comme de la pâte à gâteau ou à pain. Positionnez le plat dans le panier de friture sans huile pour le programme de cuisson au four.

Vous pouvez placer des ingrédients sur le plateau de cuisson sans recouvrir d'aluminium ou autre.

Préparer

Coupez, hachez, assaisonnez, faites mariner ou panez vos ingrédients conformément à la recette.

Cuire

1. Insérez le panier de friture sans huile dans l'autocuiseur.

Lorsque le panier de friture sans huile est bien inséré, l'avant du panier se trouve dans l'alignement de l'avant de l'autocuiseur.

2. Appuyez sur **Air Fry** (Frire sans huile).
3. Appuyez sur **Temp/Time** (Température/temps) pour régler la température et le temps de cuisson.
4. Appuyez sur **Start** (Démarrer) pour commencer. L'écran affiche Preheating (Préchauffage) pour indiquer que le programme de cuisson a commencé.

Consultez la page 10 pour modifier les réglages des programmes intelligents.

Ajouter des ingrédients

1. Lorsque l'autocuiseur a terminé la phase de préchauffage, l'écran affiche Add Food (Ajouter des ingrédients).
2. Retirez le panier et placez-y délicatement les ingrédients.
3. Réinsérez le panier de friture sans huile dans l'autocuiseur et le compte à rebours de cuisson s'enclenche.

Retourner

1. En cours de cuisson, l'écran affiche
2. Turn Food (Retourner ingrédients).
3. Retirez le panier de friture sans huile de l'appareil et retournez ou tournez délicatement les ingrédients.

Si vous ne retirez pas le panier lorsque Turn Food (Retourner ingrédients) s'affiche, la cuisson reprendra après 10 secondes.

4. Insérez le panier de friture sans huile dans l'autocuiseur. La cuisson se poursuit.

Terminer

- Lorsque le programme intelligent se termine, l'appareil émet un bip et l'écran affiche **End** (Fin).

Le bip « Plat prêt » retentit 1 minute après la fin de la cuisson (1 bip par minute pendant 10 minutes) si vous ne sortez pas le panier ou si vous n'ouvrez pas le couvercle.

PROGRAMMES INTELLIGENTS

Frire sans huile

Vous pouvez frire sans huile des ingrédients comme des frites, des morceaux de chou-fleur, des ailes de poulet, des nuggets, etc.

Réglage	Par défaut	Minimum	Maximum
Température	205 °C	82 °C	205 °C
Temps de cuisson	15 minutes (00:15)	1 minute (00:01)	1 heure (01:00)

Pour frire sans huile

- Suivez les instructions de base de Frire sans huile.
- Sélectionnez « Air Fry » (Frire sans huile) comme programme intelligent.

Rôtir

Vous pouvez rôtir des ingrédients tels que du boeuf, de l'agneau, du porc, de la volaille, des légumes ou du gratin de pommes de terre pour qu'ils soient tendres à l'intérieur et dorés à l'extérieur.

Réglage	Par défaut	Minimum	Maximum
Température	193 °C	82 °C	205 °C
Temps de cuisson	18 minutes (00:18)	1 minute (00:01)	1 heure (01:00)

Pour rôtir

- Suivez les instructions de base de Cuisson.
- Sélectionnez « Roast » (Rôtir) comme programme intelligent.

Cuire au four

Vous pouvez cuire des préparations comme du pain, des gâteaux, des pâtisseries et des petits pains en utilisant votre Vortex Slim comme un « mini four ».

Réglage	Par défaut	Minimum	Maximum
Température	185 °C	82 °C	205 °C
Temps de cuisson	30 minutes (00:30)	1 minute (00:01)	1 heure (01:00)

Pour cuire au four

- Suivez les instructions de base de Cuisson.
- Sélectionnez « Bake » (Cuire au four) comme programme intelligent.
- Vous n'avez pas à retourner les ingrédients en cours de cuisson..

Laissez un espace d'environ 2,5 cm tout autour du plat de cuisson pour que la chaleur circule uniformément.

Griller

Cette fonction cuit en appliquant avec une chaleur descendante directe, idéale pour fondre du fromage sur une soupe à l'oignon ou encore des nachos.

Réglage	Par défaut	Minimum	Maximum
Température	205 °C	Non réglable	Non réglable
Temps de cuisson	6 minutes (00:06)	1 minute (00:01)	40 minutes (00:40)

Pour griller

- Suivez les instructions de base de Cuisson.
- Sélectionnez le programme intelligent « Grill » (Griller).
- Vous n'avez pas à retourner les ingrédients en cours de cuisson.

Réchauffer

Redonnez du croustillant à vos restes de frites ou de pizza en quelques minutes.

Réglage	Par défaut	Minimum	Maximum
Température	138 °C	149 °C	182 °C
Temps de cuisson	10 minutes (00:10)	1 minute (00:01)	1 heure (01:00)

Pour réchauffer

- Suivez les instructions de base de Cuisson.
- Sélectionnez « Reheat » (Réchauffer) comme programme intelligent.

Lorsque cette fonction de cuisson intelligente démarre, l'écran affiche immédiatement la température et le temps de cuisson cibles, sans temps de préchauffage.

NETTOYAGE

Nettoyez votre friteuse à air Vortex Slim après chaque utilisation. Débranchez toujours l'appareil et laissez tous les composants revenir à température ambiante avant de les nettoyer. Avant l'utilisation ou le stockage, vérifiez que toutes les surfaces sont sèches.

⚠ AVERTISSEMENT

Afin d'éviter tout choc électrique, débranchez l'appareil avant le nettoyage.

Ne plongez PAS le cordon d'alimentation, la prise ou l'appareil dans l'eau ou tout autre liquide, car cela pourrait provoquer un choc électrique.

Composant	Instructions de nettoyage
Plateau de cuisson	<ul style="list-style-type: none">• Compatible lave-vaisselle*.• Les plateaux de cuisson comportent un revêtement antiadhésif. Évitez de nettoyer avec des ustensiles métalliques.• Évitez les produits nettoyants agressifs.
Panier de friture sans huile amovible	<ul style="list-style-type: none">• Compatible lave-vaisselle*.• Le panier comporte un revêtement antiadhésif. Évitez de nettoyer avec des ustensiles métalliques.• Évitez les produits nettoyants agressifs..
Compartiment de cuisson	<ul style="list-style-type: none">• Nettoyez avec un chiffon humide et du liquide vaisselle doux.• Vérifiez toujours que la bobine chauffante et les parois du compartiment de cuisson ne présentent pas d'éclaboussures d'huile ni de résidus alimentaires, et nettoyez si nécessaire.• Vérifiez que la bobine chauffante est sèche avant de démarrer la friteuse à air.• Pour retirer la graisse et les résidus alimentaires cuits du compartiment de cuisson, vaporisez un mélange de bicarbonate de soude et de vinaigre, puis essuyez avec un chiffon humide. En cas de résidus tenaces, laissez reposer le mélange plusieurs minutes sur la zone concernée avant de frotter.
Cordon d'alimentation	<ul style="list-style-type: none">• Nettoyez à l'aide d'un chiffon doux humidifié ou d'une éponge. Séchez-le à l'aide d'un chiffon.

**Un lavage au lave-vaisselle peut provoquer une décoloration, mais cela ne nuit pas à la sécurité ou aux performances de l'autocuiseur.*

DÉPANNAGE

Problème	Cause	Solution
La friteuse à air ne démarre pas	L'appareil n'est pas branché correctement.	<ul style="list-style-type: none"> • Vérifiez que le cordon d'alimentation est fermement branché dans la prise.
	La prise n'est pas sous tension.	<ul style="list-style-type: none"> • Branchez un autre appareil dans la même prise pour tester le circuit.
	Le panier de friture sans huile n'est pas complètement inséré.	<ul style="list-style-type: none"> • Assurez-vous que le panier de friture sans huile est complètement inséré.
Une fumée noire sort de la friteuse à air	Utilisation d'une huile avec un point de fumée faible.	<ul style="list-style-type: none"> • Annulez le programme intelligent, débranchez l'autocuiseur et laissez-le refroidir à température ambiante. • Choisissez une huile neutre avec un point de fumée élevé, par exemple une huile de colza, d'avocat, de soja, de carthame ou de son de riz..
	Résidus alimentaires sur la bobine chauffante, dans le compartiment de cuisson ou sur les accessoires.	<ul style="list-style-type: none"> • Annulez le programme intelligent, débranchez l'autocuiseur et laissez-le refroidir à température ambiante. • Retirez tous les accessoires du compartiment de cuisson et nettoyez bien celui-ci et l'ensemble des accessoires.
	Dysfonctionnement de l'appareil.	<ul style="list-style-type: none"> • Contactez le service client..
Une fumée blanche sort de la friteuse à air	Cuisson d'ingrédients riches en matières grasses, par exemple le bacon, les saucisses et les hamburgers.	<ul style="list-style-type: none"> • Évitez de frire sans huile des ingrédients riches en graisse. Vérifiez que le compartiment de cuisson ne présente aucun excès d'huile et/ou de graisse et si nécessaire, retirez délicatement cet excès avant de frire sans huile.
	De l'eau se vaporise et produit une vapeur épaisse.	<ul style="list-style-type: none"> • Séchez les ingrédients humides en les tapotant avant de les frire sans huile. • N'ajoutez pas d'eau ou d'autres liquides dans le compartiment de cuisson pour frire sans huile.
	L'assaisonnement des ingrédients s'est répandu sur l'élément.	<ul style="list-style-type: none"> • Faites attention lorsque vous assaisonnez. Vaporisez d'abord de l'huile sur les légumes et les viandes pour que l'assaisonnement y adhère mieux.

CODES D'ERREUR

Si le panneau de commande affiche un code d'erreur de cette liste, votre friteuse à air présente un problème. Voici les mesures à prendre pour résoudre le problème.

Problème	Cause	Solution
E1	Circuit ouvert.	• Contactez le service client.
E2	Court-circuit du capteur de température.	• Contactez le service client.

EN SAVOIR PLUS

Une multitude d'informations et de conseils sur la friteuse à air Vortex Slim sont à votre disposition. Voici quelques-unes des ressources les plus utiles.

Enregistrer votre produit

instantbrands.co.uk/product-registration

Contactez le service client

instantbrands.co.uk/support

UKSupport@instantbrands.com

EUSupport@instantbrands.com

Application Instant Brands® Connect avec plus de 100 recettes

iOS and Android app stores

Tableaux de cuisson et plus de recettes

instantbrands.co.uk/recipes

Pièces et accessoires de rechange

instantbrands.co.uk/product-category/instant

Rejoindre la communauté



SPÉCIFICATIONS DU PRODUIT

Modèle	Volume	Puissance en watts	Puissance	Poids	Dimensions
AFB6002BK	5,7 litres	1700 W	220-240 V ~ 50-60 Hz	4,84 kg	cm : 45,2 L x 25,9 L x 30,1 H

GARANTIE

Garantie limitée

Instant Brands (Ireland) Limited et Instant Brands Inc. (collectivement « l'Entreprise ») garantissent cet appareil contre tout défaut de pièces ou de main-d'oeuvre, dans le cadre d'un usage domestique normal, pendant une période d'un (1) an à compter de la date d'achat initial. Cette garantie limitée concerne uniquement l'acheteur initial et l'utilisation de l'appareil au sein de l'UE. Cette garantie ne couvre pas l'utilisation de l'appareil en dehors de l'UE.

Pour faire valoir cette garantie limitée, vous devrez fournir une preuve de la date de l'achat initial et, à la demande, retourner votre appareil. Sous réserve que cet appareil ait été utilisé et entretenu conformément aux instructions écrites fournies avec l'appareil (qui sont également disponibles sur instantbrands.co.uk), l'Entreprise s'engage, à son entière discrétion, à : (i) réparer les vices de fabrication (pièces et main d'oeuvre) ; ou (ii) remplacer l'appareil. En cas de remplacement de l'appareil, la garantie limitée de l'appareil de remplacement expirera 12 mois après la date de l'achat initial.

L'Entreprise n'est pas responsable des frais d'expédition résultant du service de garantie.

Limitation et Exclusions

Toute modification ou tentative de modification de votre appareil risque de nuire à l'utilisation sécurisée de l'appareil et d'entraîner des blessures ou dommages matériels graves. Toute modification ou tentative de modification de votre appareil ou d'une partie quelconque annulera la garantie, à moins que ces modifications ou altérations aient été approuvées expressément par l'Entreprise.

Cette garantie ne couvre pas (1) l'usure normale, (2) les dommages résultant d'une utilisation négligente, déraisonnable ou abusive de l'appareil, d'un montage ou démontage inadéquat, d'une utilisation contraire aux instructions d'utilisation, d'un manque d'entretien raisonnable et nécessaire, de catastrophes naturelles (comme les incendies, inondations, ouragans et tornades), ou d'une réparation ou altération réalisée par toute personne, sauf instructions et autorisation expresse de l'Entreprise ; et (3) les réparations effectuées sur votre appareil en raison d'une utilisation contraire aux instructions d'utilisation publiées et à une fin autre que l'usage domestique normal.

Dans la limite autorisée par la loi, la responsabilité éventuelle de l'Entreprise vis-à-vis de tout appareil ou pièce supposé(e) défectueux(-euse) sera limitée à la réparation ou au remplacement de l'appareil ou de la pièce, et ne dépassera pas le prix d'achat d'un appareil comparable. Sauf disposition contraire expresse aux présentes et dans la limite autorisée par la loi, (1) l'Entreprise n'offre aucune garantie, condition ou déclaration, expresse ou implicite, qu'elle découle ou non de l'usage ou de la pratique commerciale, par rapport à l'appareil ou aux pièces couvertes par cette garantie, et (2) l'Entreprise ne saurait être tenue responsable de tout dommage indirect, accessoire ou consécutif, découlant de ou lié à l'utilisation ou au fonctionnement de l'appareil, ni de tout dommage lié à une quelconque perte économique, perte de propriété, perte de revenus, perte de profits, perte de jouissance ou perte d'usage, ni de tous les frais d'enlèvement ou d'installation, ni de tous les autres dommages consécutifs, de quelque nature qu'ils soient. Aux termes de la législation en vigueur, vous pouvez disposer de droits et de recours supplémentaires à ceux que vous octroie cette garantie limitée.

GARANTIE

Allez sur le site instantbrands.co.uk/product-registration/ pour enregistrer votre appareil. Vous devrez indiquer votre nom, votre adresse électronique, le nom du magasin, la date d'achat, le numéro de modèle et le numéro de série (tous deux indiqués sur l'appareil). Cet enregistrement nous permettra de vous informer régulièrement du développement des produits, de vous proposer des recettes et de vous contacter dans le cas peu probable de la publication d'une notification relative à la sécurité du produit. En vous enregistrant, vous reconnaissez avoir lu et compris les instructions d'utilisation et les avertissements qui accompagnent l'appareil.

Warranty Service

Pour faire appel au service de garantie, veuillez contacter notre service client en créant un ticket de demande d'assistance en ligne à l'adresse [Instantbrands.co.uk/support/](https://instantbrands.co.uk/support/). Si nous ne parvenons pas à résoudre le problème, nous pouvons vous demander d'envoyer votre appareil au service après-vente pour un contrôle qualité. Instant Brands n'est pas responsable des coûts d'expédition associés au service de garantie. Lorsque vous nous renvoyez votre appareil, veillez à inclure votre nom, votre adresse postale, votre adresse e-mail, votre numéro de téléphone et une preuve de la date d'achat initial, ainsi qu'une description du problème rencontré avec l'appareil.

Instant Brands (Ireland) Limited,
Suite 6, Rineanna House,
Shannon Free Zone,
Shannon, Co Clare, Ireland, V14 CA36.

Email: EUSupport@instantbrands.com

Telephone: +44 (0) 3331 230051

Cette garantie a été mise à jour le 1er septembre 2019 pour tous les produits vendus à compter du [1er novembre 2019]. Si votre produit est assorti d'une version plus ancienne de la garantie, celle-ci continuera d'être honorée.

Recyclage

Cet appareil est conforme à la Directive n° 2012/19/EU relative aux déchets d'équipements électriques et électroniques (DEEE). Cet appareil est conforme à la Directive n° 2014/30/UE relative à la compatibilité électromagnétique (CEM), telle que modifiée, et à la Directive n° 2014/35/UE relative à la basse tension, telle que modifiée. Ce marquage indique que, au sein de l'UE, ce produit ne doit pas être mis au rebut avec les autres ordures ménagères. Pour éviter l'élimination incontrôlée des déchets pouvant porter préjudice à l'environnement et à la santé humaine, veuillez le recycler de manière responsable afin de promouvoir la réutilisation durable des matières premières. Veuillez utiliser les services de retour et de collecte pour retourner votre appareil usagé ou contacter le Service Client pour tout complément d'information sur le recyclage et la DEEE.



Instant Brands (EMEA) Limited

1 Christchurch Way, Woking, Surrey,
GU21 6JG, Royaume-Uni

Instant Brands (Ireland) Limited

Suite 6, Rineanna House, Shannon
Free Zone, Shannon, Co Clare,
Irlande, V14 CA36

[instantbrands.co.uk](https://www.instantbrands.co.uk)

© 2022 Instant Brands LLC

INSTANT et INSTANT BRANDS sont
des marques déposées d'Instant
Brands Holdings Inc.

erste schritte

INSTANT™ **VORTEX™** SLIM
HEISSLUFTFRITTEUSE 5,7 L
BEDIENUNGSANLEITUNG

Instant®

Herzlich willkommen

zu ihrer neuen Instant™ Vortex™ Slim Heißluftfritteuse!

Mit der Instant Vortex Slim Heißluftfritteuse können Sie mit weniger Öl und weniger Aufwand köstliches Essen zubereiten. Wir hoffen, dass Sie sich in Ihre Instant Heißluftfritteuse verlieben und mit ihr in den kommenden Jahren in Ihrer Küche viel Freude haben werden.

Beginnen Sie mit dem Gebrauch Ihrer neuen Vortex Slim Heißluftfritteuse!



Scannen und loslegen!

Um Ihr Kocherlebnis mit Instant so einfach wie möglich zu gestalten, haben wir für Sie 4 einfache Schritte mit Anleitungsvideos zusammengestellt. Scannen Sie den QR-Code und folgen Sie den Schritten, um im Handumdrehen ein Instant-Koch zu werden!

www.instantbrands.co.uk/get-started



Laden Sie die **Instant Brands® Connect App** herunter, um auf über 100 Rezeptideen zuzugreifen.



Besuchen Sie für Anleitungsvideos und Rezeptinspirationen den **YouTube-Kanal von Instant Brands UK**.



Schließen Sie sich der **Instant Pot Facebook Community** an, und lassen Sie sich von dieser aktiven Gruppe von Instant-Köchen mit Kochtipps, Tricks und Rezepten inspirieren!

⚠ WARNING

Bevor Sie Ihre neue Vortex verwenden, lesen Sie bitte alle Anweisungen, einschließlich der Sicherheits- und Garantiehinweise, durch. Wenn Sie die Sicherheitshinweise und Anweisungen nicht beachten, kann es zu Verletzungen und/oder Sachschäden kommen.

INHALT

Wichtige Sicherheitsvorkehrungen	2
Verpackungsinhalt	7
Gebrauch Ihrer Vortex	8
Ersteinrichtung	11
Garen	13
Smart-Programme	15
Fehlerbehebung	18
Fehlercodes	19
Mehr erfahren	20
Produktspezifikationen	20
Garantie	21



WICHTIGE SICHERHEITSHINWEISE

⚠️ WARNUNG

LESEN SIE ALLE ANWEISUNGEN

Aufstellen

Das Gerät nur auf eine Arbeitsplatte stellen. Betreiben Sie das Gerät immer auf einer stabilen, nicht brennbaren, ebenen Fläche.

Das Gerät **NICHT** auf oder in die Nähe eines heißen Gas- oder Elektroherds oder eines beheizten Ofens stellen.

Das Gerät **NICHT** in der Nähe von Wasser oder Flammen verwenden.

Verwenden Sie das Gerät **NICHT** im Freien. Vor direkter Sonneneinstrahlung schützen.

Das Gerät **NICHT** auf irgendetwas stellen, das seine Lüftungsschlitze blockieren könnte.

Vergewissern Sie sich vor dem Gebrauch, dass alle Teile trocken und frei von Lebensmittelresten sind.

Allgemeiner Gebrauch

NICHT während oder unmittelbar nach dem Garen die heißen Oberflächen des Geräts oder die Zubehörteile berühren, da diese heiß sind.

Benutzen Sie die Griffe und Knöpfe des Geräts.

Benutzen Sie Ofenhandschuhe, wenn Sie das Zubehör entfernen.

Stellen Sie heißes Zubehör auf eine hitzebeständige Oberfläche oder Kochplatte.

Den Heißluftfrittierkorb oder einen Teil des Geräts **NICHT** mit Folie abdecken. Dadurch überhitzt es.

Das Gerät **NICHT** bewegen, während es in Betrieb ist.

⚠️ WARNUNG

Kindern oder Personen mit eingeschränkten körperlichen, sensorischen oder geistigen Fähigkeiten **NICHT** erlauben, dieses Gerät zu bedienen. Wenn ein Gerät in der Nähe von Kindern und Personen mit eingeschränkten Fähigkeiten verwendet wird, ist eine genaue Aufsicht erforderlich.

Kinder dürfen nicht mit diesem Gerät spielen.

Benutzen Sie das Gerät ausschließlich im Haushalt. Es ist nicht für den gewerblichen Gebrauch bestimmt.

Das Gerät während des Betriebs **NICHT** unbeaufsichtigt lassen.

Das Gerät innerhalb eines Zeitraums von 2 Stunden **NICHT** länger als 60 Minuten verwenden.

Vorsichtsmaßnahmen beim Heißluftfrittieren

Wenn die Heißluftfritteuse in Betrieb ist, tritt durch die Lüftungsschlitze heiße Luft aus. Halten Sie Ihre Hände und Ihr Gesicht in einem sicheren Abstand von den Lüftungsschlitzen und seien Sie äußerst vorsichtig, wenn Sie heißes Zubehör aus dem Gerät nehmen. Zuwiderhandlung kann zu Verletzungen oder Sachschäden führen.

Während des Garens erreicht die Innentemperatur des Geräts mehrere hundert Grad. Um Verletzungen zu vermeiden, stecken Sie niemals Ihre Hände ungeschützt in das Gerät, solange es nicht auf Raumtemperatur abgekühlt ist.

NICHT einen keramikbeschichteten oder Steinguttopf zum Heißluftfrittieren verwenden.

NICHT die Lüftungsschlitze der Heißluftfritteuse blockieren. Lassen Sie während des Gebrauchs um die Heißluftfritteuse herum mindestens 13 cm Platz.

Das Gerät **NICHT** auf einen heißen Herd stellen.

Das Gerät **NICHT** auf oder in der Nähe von brennbaren Materialien wie Tischdecken und Vorhängen betreiben.

Decken Sie beim Betrieb der Heißluftfritteuse **NICHT** die Lüftungsschlitze ab. Dadurch wird ein gleichmäßiges Garen

⚠️ WARNUNG

verhindert und das Gerät könnte beschädigt werden.

Die Heißluftfritteuse **NICHT** überfüllen. Überfüllung kann dazu führen, dass Lebensmittel mit dem Heizelement in Berührung kommen, wodurch Feuer, Personen- und/oder Sachschäden entstehen können.

NICHT Öl in den Garbehälter gießen. Besprühen Sie Lebensmittel falls nötig leicht mit Öl, damit sie nicht am Gerät haften bleiben. Der Gebrauch von Speiseöl kann zu Verletzungen und/oder Sachschäden führen.

Seien Sie vorsichtig mit Garbehältern, die nicht aus Metall oder Glas sind. Bei Zuwiderhandlung kann es zu Bränden, Verletzungen und/oder Sachschäden kommen.

Sollte während des Gebrauchs aus dem Gerät schwarzer Rauch austreten, drücken Sie auf Cancel (Abbrechen) und trennen das Gerät sofort von der Stromversorgung. Warten Sie, bis sich kein Rauch mehr entwickelt, bevor Sie den Korb herausnehmen, und sich das Gerät abgekühlt hat, bevor Sie es gründlich reinigen. Weitere Informationen finden Sie unter „Fehlerbehebung“.

Seien Sie äußerst vorsichtig, wenn Sie das Gerät bewegen, während es heißes Öl oder andere heiße Flüssigkeiten enthält.

Seien Sie äußerst vorsichtig, wenn Sie den Gareinsatz herausnehmen oder das heiße Fett entsorgen.

Das Gerät **NICHT** zum Frittieren verwenden.

Zubehör

Verwenden Sie nur von Instant Brands LLC autorisierte Zubehörteile. Teile, Zubehörteile oder Einsätze zu verwenden, die nicht vom Hersteller empfohlen wurden, können zu einem Stromschlag, Brand, Verletzungen und/oder Sachschäden führen.

Das mitgelieferte Zubehör **NICHT** in einer Mikrowelle, einem Toaster, einem Umluftofen oder einem konventionellen Ofen oder auf einem Cerankochfeld, einem Elektroherd, einem Gasherd oder einem Außengrill verwenden.

⚠️ WARNUNG

Pflege und Aufbewahrung

Lassen Sie das Gerät vor der Reinigung oder Aufbewahrung auf Zimmertemperatur abkühlen.

NICHT irgendwelche Materialien im Gerät aufbewahren, wenn es nicht benutzt wird.

Brennbare Materialien wie Papier, Karton, Kunststoff, Styropor oder Holz **NICHT** in das Gerät legen.

Das Gerät **NICHT** mit Scheuerschwämmen aus Metall oder Stahlwolle reinigen. Teile können abbrechen und mit elektrischen Teilen in Berührung kommen, wodurch es zu einem Stromschlag, Verbrennungen oder anderen Verletzungen kommen kann.

Netzkabel

Ein kurzes Stromversorgungskabel verringert die Gefahr, dass jemand danach greift, sich darin verfängt oder stolpert. Dieses Gerät hat einen 3-poligen geerdeten Stecker. Um das Risiko eines Stromschlags zu verringern:

Das Netzkabel **NUR** an eine geerdete Steckdose anschließen.

NICHT den Erdleiter entfernen.

NICHT das Netzkabel über Tisch- oder Thekenkanten hängen oder in Berührung mit heißen Oberflächen oder offenen Flammen kommen lassen, dies schließt die Herdplatte mit ein.

NICHT die Steckdosen unter der Arbeitsplatte verwenden.

NICHT mit Verlängerungskabeln, Stromwandlern oder Adaptern, Zeitschaltuhren oder separaten Fernbedienungssystemen verwenden.

Elektrische Vorsichtsmaßnahmen

Das Gerät enthält Elektrobauteile, die eine Stromschlaggefahr darstellen. Bei Nichtbeachtung dieser Anweisungen kann es zu einem Stromschlag kommen, der zum Tode führen kann.

Um einen Stromschlag zu vermeiden:

Um die Verbindung zu trennen, wählen Sie Cancel (Abbrechen) und

⚠️ WARNUNG

ziehen dann den Stecker aus der Stromquelle. Ziehen Sie immer den Netzstecker, wenn Sie das Gerät nicht verwenden. Dies gilt auch für die Reinigung und wenn Sie Teile oder Zubehör entfernen oder hinzufügen. Ziehen Sie das Netzkabel am Stecker aus der Steckdose. Ziehen Sie niemals am Netzkabel.

RICHTIG Lassen Sie das Gerät abkühlen, bevor Sie Teile oder Zubehörteile hineingeben oder entfernen.

Überprüfen Sie das Gerät und das Netzkabel regelmäßig.

Das Gerät **NICHT** in Betrieb nehmen, wenn das Netzkabel oder der Netzstecker beschädigt ist oder wenn das Gerät eine Funktionsstörung aufweist, fallengelassen oder auf irgendeine Weise beschädigt wurde. Wenn Sie Hilfe benötigen, wenden Sie sich per E-Mail unter **UKsupport@instantbrands.com** an den Kundendienst (wenn Sie sich in Großbritannien befinden) oder unter **EUsupport@instantbrands.com** (wenn Sie sich in der EU befinden).

Versuchen Sie **NICHT**, Lebensmittel zu entfernen, während das Gerät an eine Steckdose angeschlossen ist, da dies zu Stromschlägen, Verbrennungen oder anderen Verletzungen und/oder Sachschäden führen kann.

Versuchen Sie **NICHT**, Bauteile des Geräts zu reparieren, auszutauschen oder zu modifizieren, da dies zu Stromschlägen oder anderen Verletzungen, Bränden und/oder Sachschäden führen könnte und die Garantie dadurch erlischt.

NICHT die Sicherheitsmechanismen manipulieren, da dies zu Verletzungen und/oder Sachschäden führen kann.

Das Netzkabel, den Stecker oder das Gerät **NICHT** in Wasser oder andere Flüssigkeiten tauchen.

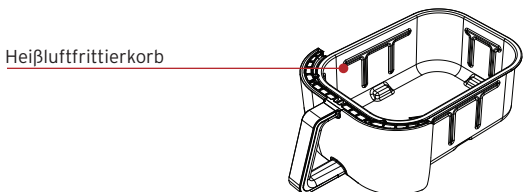
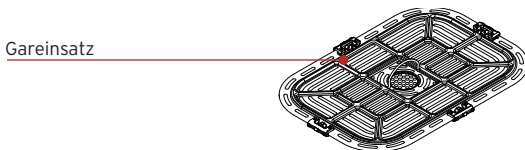
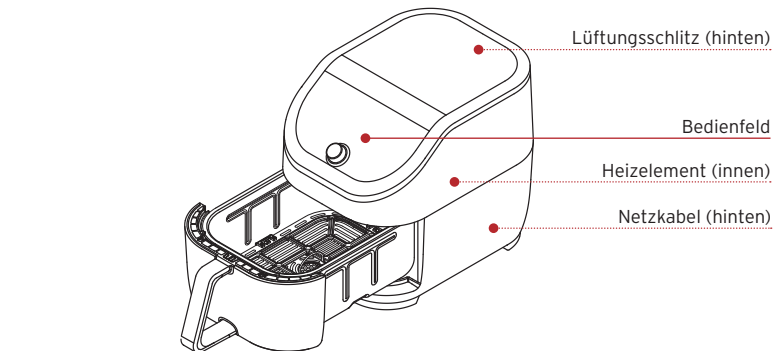
Das Gerät **NICHT** unter dem Wasserhahn abspülen.

Das Gerät **NICHT** an anderen Stromnetzen als 220-240 V ~ 50-60Hz verwenden.

**BEWAHREN SIE DIESE
ANWEISUNGEN AUF**

VERPACKUNGSINHALT

HEISSLUFTFRITTEUSE



Die Abbildungen dienen nur zur Veranschaulichung und können vom tatsächlichen Produkt abweichen.

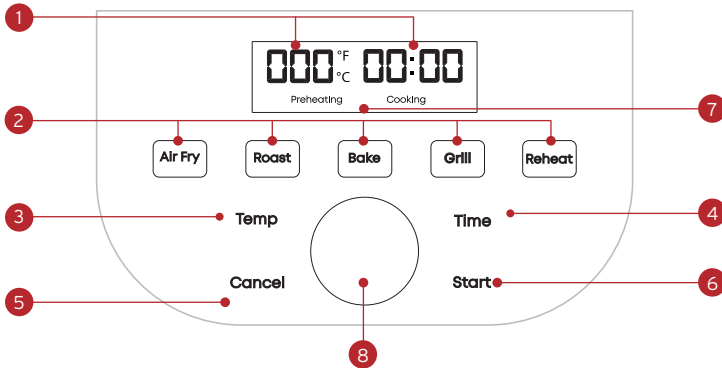
Denken Sie ans Recyceln!

Wir haben diese Verpackung im Hinblick auf Nachhaltigkeit entworfen. Bitte recyceln Sie alles, was an Ihrem Wohnort recycelt werden kann.

GEBRAUCH IHRER VORTEX

Bedienfeld

Dank seines Designs ist das Bedienfeld einfach zu benutzen und abzulesen.



1. Zeit/Temperatur
 - Garzeit
 - Gartemperatur
2. Smart-Programme
 - Heißluftfrittieren
 - Braten
 - Backen
 - Grillen
 - Aufwärmen
3. Temperatur
4. Zeit
5. Abbrechen
6. Start
7. Fortschrittsmeldungen
8. Drehregler

Ton On/Off (Ein/Aus) schalten

- Wenn das Display OFF (Aus) anzeigt, halten Sie **Temp** und **Time** (Zeit) mindestens 5 Sekunden gedrückt, bis auf dem Display **S Off** oder **S On** angezeigt wird.

Die akustischen Sicherheitswarnungen (Pieptöne) können nicht ausgeschaltet werden.

Wahl der Temperatureinheit

Wählen Sie die gewünschte Einheit für die Gartemperatur: Fahrenheit oder Celsius.

- Wenn das Display OFF (aus) anzeigt, halten Sie **Temp** mindestens 5 Sekunden gedrückt, bis auf dem Display °F oder °C angezeigt wird.

Speichern der benutzerdefinierten Einstellungen

Sie können für jedes der fünf Smart-Programme Zeit und Temperatur einstellen und speichern.

1. Wählen Sie das Smart-Programm, das Sie einstellen möchten.
2. Drücken Sie Time (Zeit) oder Temp und drehen Sie den Drehregler, um Zeit und Temperatur zu ändern.
3. Drücken Sie auf die Start-Taste, um die Änderung zu bestätigen..

Wenn Sie das Smart-Programm das nächste Mal verwenden, wird die neue Temperatur oder Zeit verwendet. Einstellungen, die nach Beginn des Garvorgangs vorgenommen werden, werden nicht gespeichert.

Zurücksetzen von Smart-Programmen auf die ursprünglichen Einstellungen

Zurücksetzen einzelner Smart-Programme

- Wenn das Display OFF (Aus) anzeigt, halten Sie die Smart-Programm-Tasten gedrückt, bis das Gerät Ready (Bereit) anzeigt.

Alle Smart-Programme zurücksetzen

- Wenn das Display OFF (Aus) anzeigt, halten Sie den Drehregler mindestens 3 Sekunden gedrückt, um das Gerät auf seine Werkseinstellungen zurückzusetzen.

Alle Garzeiten und Temperaturen der Smart-Programme werden auf die Werkseinstellung zurückgesetzt.

Aktives Garprogramm abbrechen

Sie können jedes Garprogramm jederzeit abbrechen.

- Wenn das Display OFF, Preheating (Vorheizen) oder das aktive Garprogramm anzeigt, drücken Sie auf Cancel (Abbrechen). Je nach Temperatur des Geräts kann der interne Lüfter weiterlaufen, um das Gerät zu kühlen.

INBETRIEBNAHME

Auspacken

1. Nehmen Sie Ihre neue Vortex Slim Heißluftfritteuse aus der Verpackung.
2. Entfernen Sie das gesamte Verpackungsmaterial in und um die Heißluftfritteuse.
3. Achten Sie darauf, dass alle Zubehörteile aus dem Inneren des Garraums entfernt wurden.
4. Entfernen Sie nicht das Typenschild von der Heißluftfritteuse.

Vor Gebrauch reinigen

1. Wischen Sie das Innere mit einem feuchten Tuch aus. Verwenden Sie zum Trocknen ein sauberes, weiches Tuch.
2. Waschen Sie das Zubehör mit heißem Wasser und Spülmittel. Spülen Sie es mit warmem, klarem Wasser ab und trocknen Sie es mit einem weichen Tuch.

Aufstellen

1. Stellen Sie Ihre Vortex Slim Heißluftfritteuse auf eine stabile, ebene Fläche, weit weg von brennbaren Materialien und externen Wärmequellen. Stellen Sie Ihre Heißluftfritteuse nicht auf ein anderes Gerät.
2. Achten Sie darauf, dass über und um das Gerät herum ein Freiraum von mindestens 13 cm bleibt, um eine ausreichende Luftzirkulation zu gewährleisten.

Testlauf

Bevor Sie Ihre neue Vortex Slim Heißluftfritteuse zum ersten Mal benutzen, müssen Sie einen Testlauf durchführen, um sicherzustellen, dass alles richtig funktioniert.

So führen Sie einen Testlauf durch:

1. Schließen Sie die Heißluftfritteuse an eine Steckdose an. Das Display wird OFF (Aus) anzeigen.
2. Setzen Sie den Garkorb ein, geben Sie aber keine Lebensmittel hinein.
3. Wählen Sie das Programm Air Fry.
4. Wählen Sie die Gartemperatur (205 °C).
5. Wählen Sie die Garzeit (18 Minuten).
6. Wenn das Display Add Food (Lebensmittel hineingeben) anzeigt, nehmen Sie den Garkorb heraus und setzen Sie ihn wieder ein (geben Sie aber keine Lebensmittel hinein).
7. Wenn das Display Turn Food (Lebensmittel wenden) anzeigt, warten Sie 10 Sekunden, bis das Programm fortgesetzt wird.
8. Lassen Sie das Gerät nach Beendigung des Garprogramms abkühlen.

Jetzt können Sie in Ihrer Instant Vortex Slim Heißluftfritteuse eine Mahlzeit zubereiten!

GAREN

Die Vortex Slim Heißluftfritteuse nutzt eine schnelle Luftzirkulation, um die Speisen knusprig werden zu lassen oder zu garen, was Ihren Gerichten mit wenig bis gar keinem Öl den vollen knusprigen Geschmack des Frittierens verleiht.

⚠ WARNING

HEIßE OBERFLÄCHEN

Die Heißluftfritteuse ist während und nach dem Garen heiß. Gehen Sie stets mit äußerster Vorsicht vor, wenn Sie Lebensmittel aus dem heißen Garraum nehmen. Heiße Oberflächen zu berühren kann zu Bränden, Verletzungen und/oder Sachschäden führen.

NOTWENIGE LUFTZIRKULATION

Um Verletzungen und/oder Sachschäden zu vermeiden, blockieren Sie nicht den Lufteinlass oder die Lüftungsschlitze.

Was wird worin gegart?

Der Heißluftfrittierkorb und der Gareinsatz sind perforiert, damit die Luft unter dem Frittiergut und um dieses herum strömen kann. Sie eignen sich für die meisten Speisen, wie zum Beispiel Hähnchenflügel und Blumenkohlröschen.

Nur für das Programm Baking (Backen) können Sie eine ofenfeste Form aus Metall oder Glas verwenden, in die Sie z. B. Kuchen- oder Brotteig geben. Stellen Sie die Backform zum Backen in den Heißluftfrittierkorb.

Sie können die Lebensmittel ohne Folie oder andere Abdeckungen direkt auf den Gareinsatz legen.

Vorbereitung

Schneiden, hacken, würzen, marinieren oder panieren Sie Ihre Zutaten nach Rezept.

Garen

1. Setzen Sie den Frittierkorb in den Garer ein.

Wenn der Frittierkorb richtig eingesetzt ist, schließt die Vorderseite des Korbs bündig mit der Vorderseite des Garers ab.

2. Drücken Sie auf **Air Fry**.
3. Drücken Sie auf **Temp/Time** (Temperatur/Zeit), um die Temperatur und die Garzeit einzustellen.
4. Drücken Sie auf **Start**, um zu beginnen. Das Display zeigt **Preheating** (Vorheizen), um anzuzeigen, dass das Garprogramm begonnen hat.

Zum Ändern der Smart-Programm-Einstellungen siehe Seite 10.

Lebensmittel hineingeben

1. Wenn der Garer die Vorheizphase durchläuft, zeigt das Display Add Food (Lebensmittel hineingeben) an.
2. Nehmen Sie den Korb heraus, und legen Sie die Lebensmittel vorsichtig in den Korb.
3. Setzen Sie den Frittierkorb wieder in den Garer ein und der Gar-Countdown beginnt.

Wenden

1. Nach der Hälfte der Zeit zeigt das Display **Turn Food** (Lebensmittel wenden) an.
2. Nehmen Sie den Heißluftfrittierkorb heraus und wenden, kippen oder drehen Sie die Lebensmittel vorsichtig.

Wenn Sie den Korb bei der Anzeige Turn Food (Lebensmittel wenden) nicht herausnehmen, wird der Garvorgang nach 10 Sekunden fortgesetzt.

3. Setzen Sie den Frittierkorb in den Garer ein. Der Garvorgang wird fortgesetzt.

Beenden

- Wenn das Smart-Programm beendet ist, piept das Gerät und auf dem Display erscheint **End**.

Wenn der Korb/das Gerät nicht geöffnet wird, ertönt der „Food-Ready“-Ton 1 Minute nach der Anzeige End (und wird 10 Minuten lang jede Minute piepen).

SMART-PROGRAMME

Heißluftfrittieren

Sie können Lebensmittel wie Pommes, Blumenkohlröschen, Hähnchenflügel, Nuggets und vieles mehr heißluftfrittieren.

Einstellung	Standard	Minimum	Maximum
Temperatur	205 °C	82 °C	205 °C
Garzeit	15 Minuten (00:15)	1 Minute (00:01)	1 Stunde (01:00)

Zum Heißluftfrittieren

- Befolgen Sie die grundlegenden Anweisungen für das Heißluftfrittieren.
- Wählen Sie „Air Fry“ (Heißluftfrittieren) als Smart-Programm.

Braten

Sie können Speisen wie Rind, Lamm, Schwein, Geflügel, Gemüse rösten und Kartoffeln überbacken, so dass sie innen köstlich zart und außen gebräunt sind.

Einstellung	Standard	Minimum	Maximum
Temperatur	193 °C	82 °C	205 °C
Garzeit	18 Minuten (00:18)	1 Minute (00:01)	1 Stunde (01:00)

Zum Braten

- Befolgen Sie die grundlegenden Anweisungen für das Garen.
- Wählen Sie „Roast“ (Braten) als Smart-Programm.

Backen

Sie können mit der Vortex Slim als Ihrem eigenen „Mini-Backofen“ Lebensmittel wie Brot, Kuchen, Gebäck und Brötchen backen.

Einstellung	Standard	Minimum	Maximum
Temperatur	185 °C	82 °C	205 °C
Garzeit	30 Minuten (00:30)	1 Minute (00:01)	1 Stunde (01:00)

Zum Backen

- Befolgen Sie die grundlegenden Anweisungen für das Garen.
- Wählen Sie „Bake“ (Backen) als Smart-Programm.
- Es ist nicht nötig, die Lebensmittel während des Garvorgangs zu wenden.

Lassen Sie rund um die Backform etwa 2,5 cm Platz, damit die Hitze gleichmäßig zirkulieren kann.

Grillen

Das Grillen erfolgt durch direktes Erhitzen von oben nach unten und ist ideal, um den Käse auf französischer Zwiebelsuppe und Nachos zum Schmelzen zu bringen.

Einstellung	Standard	Minimum	Maximum
Temperatur	205 °C	Nicht einstellbar	Nicht einstellbar
Garzeit	6 Minuten (00:06)	1 Minute (00:01)	40 Minuten (00:40)

Zum Grillen

- Befolgen Sie die grundlegenden Anweisungen für das Garen.
- Wählen Sie „Grillen“ als Smart-Programm.
- Es ist nicht nötig, die Lebensmittel während des Garvorgangs zu wenden.

Aufwärmen

So werden übrig gebliebene Pommes oder Pizza in nur wenigen Minuten wieder knusprig und frisch.

Einstellung	Standard	Minimum	Maximum
Temperatur	138°C	149°C	182°C
Garzeit	10 Minuten (00:10)	1 Minute (00:01)	1 Stunde (01:00)

Zum Aufwärmen

- Befolgen Sie die grundlegenden Anweisungen für das Garen.
- Wählen Sie „Reheat“ (Aufwärmen) als Smart-Programm.

Sobald diese Smart-Cooking-Funktion startet, zeigt das Display sofort die Zieltemperatur und die Garzeit an, eine Vorheizzeit gibt es nicht.

REINIGUNG

Reinigen Sie Ihre Vortex Slim Heißluftfritteuse nach jedem Gebrauch. Ziehen Sie vor der Reinigung immer den Netzstecker und lassen Sie alle Teile auf Raumtemperatur abkühlen. Vergewissern Sie sich vor Gebrauch oder Aufbewahrung, dass alle Oberflächen trocken sind.

⚠️ WARNING

Um einen Stromschlag zu vermeiden, ziehen Sie vor der Reinigung den Netzstecker.

NICHT das Netzkabel, den Stecker oder das Gerät in Wasser oder andere Flüssigkeiten tauchen, da dies zu einem Stromschlag führen.

Teil	Reinigungsanweisungen
Gareinsatz	<ul style="list-style-type: none">• Spülmaschinenfest*• Die Gareinsätze haben eine Antihafbeschichtung. Vermeiden Sie es, bei der Reinigung Metallutensilien zu verwenden.• Vermeiden Sie aggressive Reinigungsmittel.
Herausnehmbarer Heißluftfrittierkorb	<ul style="list-style-type: none">• Spülmaschinenfest*• Der Korb hat eine Antihafbeschichtung. Vermeiden Sie es, bei der Reinigung Metallutensilien zu verwenden.• Vermeiden Sie aggressive Reinigungsmittel.
Garraum	<ul style="list-style-type: none">• Mit einem feuchten Tuch und mildem Spülmittel reinigen.• Prüfen Sie die Heizspirale und die Wände des Garraums stets auf Ölspritzer und Speisereste und reinigen Sie sie bei Bedarf.• Vergewissern Sie sich, dass die Heizspirale trocken ist, bevor Sie die Fritteuse einschalten.• Um eingebranntes Fett und Speisereste aus dem Garraum zu entfernen, sprühen Sie ihn mit einer Mischung aus Backnatron und Essig ein und wischen Sie ihn mit einem feuchten Tuch aus. Bei hartnäckigen Flecken lassen Sie die Mischung mehrere Minuten auf der betroffenen Stelle einwirken, bevor Sie sie sauber schrubben.
Netzkabel	<ul style="list-style-type: none">• Mit einem weichen, feuchten Tuch oder Schwamm reinigen. Trocken wischen.

**Nach dem Waschen in der Spülmaschine kann es zu Verfärbungen kommen, die jedoch die Sicherheit oder Leistung des Geräts nicht beeinträchtigen.*

FEHLERSUCHE

Problem	Ursache	Lösung
Die Heißluftfritteuse lässt sich nicht einschalten	Das Gerät ist nicht richtig mit der Steckdose verbunden.	<ul style="list-style-type: none"> Vergewissern Sie sich, dass das Netzkabel fest in die Steckdose eingesteckt ist.
	Die Steckdose wird nicht mit Strom versorgt.	<ul style="list-style-type: none"> Schließen Sie ein anderes Gerät an dieselbe Steckdose an, um die Stromversorgung zu testen.
	Der Korb ist nicht vollständig in die Heißluftfritteuse eingesetzt.	<ul style="list-style-type: none"> Stellen Sie sicher, dass der Heißluftfrittierkorb richtig eingesetzt wurde.
Aus der Heißluftfritteuse tritt schwarzer Rauch aus	Es wird ein Öl mit einem niedrigen Rauchpunkt verwendet.	<ul style="list-style-type: none"> Brechen Sie das Smart-Programm ab, ziehen Sie den Netzstecker und lassen Sie den Garer auf Raumtemperatur abkühlen. Wählen Sie ein neutrales Öl mit hohem Rauchpunkt, wie etwa Raps, Avocado, Sojabohnen, Distel oder Reiskleie.
	Es befinden sich Essensreste auf der Heizspirale, im Garraum oder am Zubehör.	<ul style="list-style-type: none"> Brechen Sie das Smart-Programm ab, ziehen Sie den Netzstecker und lassen Sie den Garer auf Raumtemperatur abkühlen. Entfernen Sie alle Zubehörtteile aus dem Garraum und reinigen Sie den Garraum und alle Zubehörtteile gründlich.
	Fehlfunktion des Geräts.	<ul style="list-style-type: none"> Wenden Sie sich an den Kundendienst..
Aus der Heißluftfritteuse tritt weißer Rauch aus	Sie garen Lebensmittel mit einem hohen Fettgehalt, wie Speck, Würstchen und Hamburger.	<ul style="list-style-type: none"> Vermeiden Sie das Heißluftfrittieren von Lebensmitteln mit hohem Fettgehalt. Kontrollieren Sie den Garraum auf überschüssiges Öl und/oder Fett und entfernen Sie es falls nötig vorsichtig vor dem Heißluftfrittieren.
	Wasser verdampft und erzeugt starken Dampf.	<ul style="list-style-type: none"> Tupfen Sie feuchte Lebensmittelzutaten vor dem Heißluftfrittieren trocken. Füllen Sie beim Heißluftfrittieren kein Wasser oder andere Flüssigkeiten in den Garraum.
	Gewürze sind in Bauteile geraten.	<ul style="list-style-type: none"> Würzen Sie die Lebensmittel mit Bedacht. Besprühen Sie Gemüse und Fleisch vor dem Würzen mit Öl, damit die Gewürze besser haften.

FEHLERCODES

Wenn das Bedienfeld einen Fehlercode aus dieser Liste anzeigt, liegt bei der Heißluftfritteuse ein Problem vor. Hier sehen Sie die Maßnahmen, die Sie ergreifen sollten, um das Problem zu beheben.

Problem	Ursache	Lösung
E1	Kurzschluss.	<ul style="list-style-type: none">• Wenden Sie sich an den Kundendienst.
E2	Kurzschluss im Temperatursensor.	<ul style="list-style-type: none">• Wenden Sie sich an den Kundendienst.

ERFAHREN SIE MEHR

Es gibt eine ganze Welt von Informationen und Hilfen zur Vortex Slim Heißluftfritteuse, die nur auf Sie warten. Hier sind einige der hilfreichsten Ressourcen.

Registrieren Sie Ihr Produkt

instantbrands.co.uk/product-registration

Wenden Sie sich an den Kundendienst unter

instantbrands.co.uk/support

UKSupport@instantbrands.com

EUSupport@instantbrands.com

Instant Brands® Connect App mit über 100 Rezepten

iOS and Android app stores

Gartabellen und noch mehr Rezepte

instantbrands.co.uk/recipes

Ersatzteile und Zubehör

instantbrands.co.uk/product-category/instant

Treten Sie der Community bei



PRODUKT-SPEZIFIKATIONEN

Modell	Füllvermögen	Leistungsaufnahme	Leistung	Gewicht	Abmessungen
AFB6002BK	5,7 Liter	1700 W	220-240 V ~ 50-60 Hz	4,84 kg	cm: 45,2 L x 25,9 B x 30,1 H

GARANTIE

Eingeschränkte Garantie

Instant Brands (Irland) Limited und Instant Brands Inc. (zusammen das „Unternehmen“) garantieren, dass dieses Gerät bei normalem haushaltsüblichem Gebrauch über einen Zeitraum von einem (1) Jahr ab dem ursprünglichen Kaufdatum frei von Verarbeitungs- und Materialfehlern ist. Diese eingeschränkte Garantie besteht nur gegenüber dem Erstkäufer und bei Verwendung des Geräts in der EU.

Diese Garantie gilt nicht für die Verwendung des Geräts außerhalb der EU. Der Nachweis des ursprünglichen Kaufdatums und gegebenenfalls die Rücksendung Ihres Geräts sind erforderlich, um Serviceleistungen unter dieser eingeschränkten Garantie zu erhalten.

Vorausgesetzt, dieses Gerät wird in Übereinstimmung mit der schriftlichen Anleitung, die dem Gerät beiliegt (verfügbar auch auf instantbrands.co.uk), betrieben und gewartet, wird das Unternehmen nach eigenem Ermessen entweder: (i) Material- und Verarbeitungsfehler beheben oder (ii) das Gerät ersetzen. Bei einem Ersatz des Geräts erlischt die eingeschränkte Garantie auf das Ersatzgerät 12 Monate nach dem.

Datum des ursprünglichen Kaufs durch den Verbraucher. Transportkosten, die im Rahmen der Garantie anfallen, werden vom Unternehmen nicht übernommen. Beschränkungen und Ausschlüsse Jede Modifikation oder versuchte Modifikation an Ihrem Gerät kann den sicheren Betrieb des Geräts beeinträchtigen und zu schweren Verletzungen und Schäden führen. Jede Modifikation oder versuchte Modifikation an Ihrem Gerät oder einem Geräteteil führt zum Erlöschen der Garantie, es sei denn, diese Modifikation(en) oder Änderung(en) wurde(n) vom Unternehmen ausdrücklich genehmigt. Diese Garantie gilt nicht für (1) den normalen Verschleiß; (2) Schäden, die durch einen nachlässigen, unsachgemäßen oder missbräuchlichen Umgang mit dem Gerät, eine unsachgemäße Montage oder Demontage, Nichtbeachtung der Bedienungsanleitung, Unterlassung angemessener und notwendiger Wartungsarbeiten, höhere Gewalt (wie Brand, Überschwemmungen, Orkane und Wirbelstürme) oder durch nicht vom Unternehmen angeordnete oder genehmigte Reparaturen oder Änderungen entstanden sind, und (3) Reparaturen am Gerät aufgrund des Gebrauchs zu anderen als den normalen, haushaltsüblichen Zwecken oder auf eine nicht der veröffentlichten Gebrauchsanweisung oder Bedienungsanleitung entsprechende Weise.

Soweit nach geltendem Recht zulässig, beschränkt sich die Haftung des Unternehmens für ein mutmaßlich defektes Gerät oder Teil auf die Reparatur oder den Austausch des Geräts oder Geräteteils und übersteigt nicht den Kaufpreis eines vergleichbaren Ersatzgeräts. Mit Ausnahme der hier ausdrücklich angegebenen Garantien und im gesetzlich zulässigen Rahmen (1) übernimmt das Unternehmen keinerlei Garantien, Bedingungen oder Zusicherungen in Bezug auf das Gerät oder Teile, die Gegenstand dieser Garantie sind, ob ausdrücklich, stillschweigend, handelsrechtlich, durch Nutzung oder Sonstiges, und (2) ist das Unternehmen nicht verantwortlich und nicht haftbar für mittelbare, Begleit- oder Folgeschäden, die durch oder in Zusammenhang mit dem Gebrauch oder der Leistung des Geräts entstehen, oder für Schäden in Bezug auf wirtschaftliche Verluste, Vermögensverluste, entgangene Einnahmen oder entgangenen Gewinn, entgangenen Genuss oder Gebrauch, Kosten für Ausbau, Einbau oder für sonstige Folgeschäden jedweder Art. Ihnen stehen unter Umständen nach geltendem Recht andere Rechte und Rechtsmittel neben den Rechten oder Rechtsmitteln aus dieser eingeschränkten Garantie zu.

Bitte besuchen Sie instantbrands.co.uk/product-registration/, um Ihr Gerät zu registrieren. Sie werden gebeten, Ihren Namen und Ihre E-Mail-Adresse, den Namen des Händlers, das Kaufdatum, die Modellnummer und die Seriennummer (beides auf dem Gerät) anzugeben. Durch diese Registrierung können wir Sie über Produktentwicklungen und Rezepte auf dem Laufenden halten und Sie im unwahrscheinlichen Fall einer Mitteilung zur Produktsicherheit kontaktieren. Durch die Registrierung bestätigen Sie, dass Sie die dem Gerät beiliegende Bedienungsanleitung und die Warnhinweise gelesen und verstanden haben.

Garantieleistungen

Um Garantieleistungen in Anspruch zu nehmen, wenden Sie sich bitte an unsere Kundendienstabteilung, indem Sie unter Instantbrands.co.uk/support/ online ein Support-Ticket anlegen. Falls wir das Problem nicht lösen können, werden Sie möglicherweise gebeten, Ihr Gerät zur Qualitätsprüfung an das Service Department zu schicken. Instant Brands ist für Versandkosten im Zusammenhang mit der Garantieleistung nicht verantwortlich. Wenn Sie Ihr Gerät zurücksenden, legen Sie bitte Ihren Namen, Ihre Postanschrift, E-Mail-Adresse, Telefonnummer und den Nachweis des Originalkaufdatums sowie eine Beschreibung des Problems bei, auf das Sie mit dem Gerät gestoßen sind.

Instant Brands (Ireland) Limited,
Suite 6, Rineanna House,
Shannon Free Zone, Shannon, Co Clare,
Ireland, V14 CA36.

Email: EUSupport@instantbrands.com

Telephone: +44 (0) 3331 230051

Diese Gewährleistung wurde zuletzt am 1. September 2019 aktualisiert und gilt für alle ab dem [1. November 2019] verkauften Produkte. Haben Sie Ihr Produkt mit einer älteren Fassung der Gewährleistung erhalten, gilt diese weiterhin.

Recycling

Dieses Gerät entspricht der Richtlinie 2012/19/EU über die Entsorgung von Elektro- und Elektronik-Altgeräten (WEEE-Richtlinie). Dieses Gerät entspricht der europäischen Richtlinie über elektromagnetische Verträglichkeit (EMV) 2014/30/EU und der Niederspannungsrichtlinie (NSR) 2014/35/EU in ihren jeweils gültigen Fassungen. Diese Kennzeichnung bedeutet, dass das vorliegende Produkt innerhalb der EU nicht zusammen mit normalem Hausmüll zu entsorgen ist. Um mögliche Schäden für die Umwelt oder Gesundheit aufgrund unkontrollierter Abfallentsorgung zu vermeiden, recyceln Sie verantwortungsbewusst und fördern Sie so die nachhaltige Wiederverwendung der Rohstoffe. Bitte nutzen Sie die Rückgabe- und Sammelsysteme, um Ihr gebrauchtes Gerät zurückzugeben, oder wenden Sie sich an den Kundendienst, um weitere Informationen zum Recycling oder zur WEEE-Richtlinie zu erhalten.



UK
CA



Instant Brands (EMEA) Limited
1 Christchurch Way, Woking, Surrey,
GU21 6JG, UK

Instant Brands (Ireland) Limited
Suite 6, Rineanna House, Shannon
Free Zone, Shannon, Co Clare,
Ireland,, V14 CA36

[instantbrands.co.uk](https://www.instantbrands.co.uk)

© 2022 Instant Brands LLC

INSTANT und INSTANT BRANDS
sind eingetragene Warenzeichen
von Instant Brands Holdings Inc.

peusta en marcha

FREIDORA DE AIRE INSTANT™
VORTEX™ SLIM 5,7 L
MANUAL DE USUARIO

Instant™

Bienvenida

a su nueva freidora de aire Instant™ Vortex™ Slim

Esta freidora Instant Vortex Slim Air Fryer puede ayudarle a cocinar deliciosos alimentos con menos aceite y menos complicaciones.

Esperamos que se enamore de su freidora de aire Instant y que disfrute de este producto en su cocina durante muchos años.

Comience a usar su freidora de aire Vortex Slim



Escanee para comenzar

Para que la experiencia de cocinar con Instant sea lo más sencilla posible, hemos creado cuatro simples pasos con vídeos de instrucciones que le servirán de guía. Escanee el código QR y siga los iPasos para convertirse en un Instant Chef en muy poco tiempo!

www.instantbrands.co.uk/get-started



Descargue la **Instant Brands® Connect app** para acceder a 100 ideas de recetas.



Visite el canal **Instant Brands UK YouTube** para acceder a los vídeos con las instrucciones e inspirarse con las recetas.



Conéctese con la **comunidad de Facebook Instant Pot UK** e inspírese con los consejos de cocina, trucos y recetas de este grupo activo de Instant Chefs.

⚠ ATENCIÓN

Antes de usar su nueva freidora Vortex, lea todas las instrucciones, incluido el documento de Seguridad y Garantía. El incumplimiento de las advertencias e instrucciones podría causar lesiones personales y/o daños materiales.

CONTENIDO

Advertencias importantes	2
Contenido de la caja	7
Uso de su Vortex	8
Configuración inicial	11
Cocción	13
Programas inteligentes	15
Resolución de problemas	18
Códigos de error	19
Más información	20
Especificaciones del producto	20
Garantía	21



ADVERTENCIAS IMPORTANTES

⚠ ATENCIÓN

LEA TODAS LAS INSTRUCCIONES

Ubicación

COLOQUE el aparato únicamente sobre una encimera. Utilice siempre el aparato sobre una superficie nivelada, estable y no combustible.

NO COLOQUE el aparato sobre un quemador de gas o eléctrico, un horno encendido o cerca de ninguno de ellos.

NO USE el aparato cerca de agua o llamas.

NO USE el aparato en el exterior. Manténgalo alejado de la luz solar directa.

NO COLOQUE ningún objeto que pueda bloquear la ventilación del aparato.

ASEGÚRESE de que todas las piezas estén secas y sin restos de alimentos antes de su uso.

Uso general

NO TOQUE las superficies calientes del aparato ni ningún accesorio mientras cocina o inmediatamente después, ya que estarán calientes.

USE las asas y los pomos del aparato.

USE manoplas para horno al extraer los accesorios.

COLOQUE los accesorios calientes sobre una superficie resistente al calor o una placa de cocción.

NO CUBRA la cesta de la freidora de aire ni ninguna otra parte del aparato con papel de aluminio. Si lo hace el horno se sobrecalentará.

NO MUEVA el aparato mientras se esté utilizando.

⚠ ATENCIÓN

NO PERMITA que los niños o las personas con habilidades físicas, sensoriales o mentales reducidas utilicen este aparato. Es necesaria una supervisión cercana si el aparato lo utilizan niños y personas con discapacidad. Los niños no deben jugar con este aparato.

NO USE el aparato para otra función que no sea un uso doméstico. No está diseñado para uso comercial.

NO DEJE el aparato sin vigilancia mientras esté funcionando.

NO USE el aparato durante más de 60 minutos en un periodo de 2 horas.

Precauciones al freír con aire

Mientras la freidora de aire está funcionando, por las rejillas de aire sale el aire caliente. Mantenga las manos y el rostro a una distancia segura de las rejillas de aire y tenga especial cuidado al retirar los accesorios calientes del aparato. Si no lo hace, podrían producirse lesiones personales o daños materiales.

Mientras cocina, la temperatura interna del aparato alcanza varios cientos de grados. Para evitar lesiones personales, nunca ponga las manos sin protección dentro del aparato hasta que se haya enfriado a temperatura ambiente.

NO USE un recipiente interno recubierto de cerámica o gres para freír con aire.

NO BLOQUEE las rejillas de la freidora de aire. Deje al menos 13 cm de espacio en torno a la freidora de aire cuando la esté utilizando.

NO COLOQUE el aparato sobre un hornillo caliente.

NO UTILICE el aparato sobre materiales combustibles como manteles y cortinas, ni cerca de ellos.

NO CUBRA las rejillas de ventilación mientras la freidora de aire está funcionando. Si lo hace, los alimentos no se cocinarán uniformemente y podría causar daños en el aparato.

NO LLENE en exceso la freidora de aire. Si la llena en exceso, los alimentos podrían entrar en contacto con el elemento calentador, pudiendo provocar lesiones personales, un incendio y/o daños materiales.

⚠ ATENCIÓN

NO **VIERTA** aceite en el recipiente de cocción. Si es necesario, pulverice ligeramente los alimentos con un spray de cocción antiadherente. El uso de aceite para cocinar podría provocar lesiones personales y/o daños materiales.

TENGA CUIDADO con los recipientes de cocción hechos de materiales que no sean metal o vidrio. Si no lo hace, podría producirse un incendio, lesiones y/o daños materiales.

Si la unidad emite un humo negro durante su uso, pulse Cancel (Cancelar) y desenchufe el aparato inmediatamente. Espere a que deje de salir humo para abrir la cesta, espere a que la unidad se enfríe y posteriormente límpiela concienzudamente. Para obtener más información, consulte «Resolución de problemas» en este Manual del usuario.

TENGA ESPECIAL CUIDADO cuando mueva el aparato mientras contenga aceite u otros líquidos calientes.

TENGA ESPECIAL CUIDADO al extraer la bandeja o desechar la grasa caliente.

NO USE este aparato para freír los alimentos tradicionalmente.

Accesorios

USE solamente los accesorios o acoples autorizados por Instant Brands LLC. El uso de piezas, accesorios o acoples no recomendados por el fabricante puede suponer un riesgo de descarga eléctrica u otras lesiones personales, incendio y/o daños materiales.

NO USE los accesorios incluidos en un microondas, horno tostador, horno de convección o convencional, o en una parrilla de cerámica, resistencia eléctrica, cocina de gas o barbacoa.

Cuidado y almacenamiento

DEJE que el aparato se enfríe a temperatura ambiente antes de limpiarlo o guardarlo.

NO GUARDE ningún material en la base de cocción cuando no la esté utilizando.

⚠ ATENCIÓN

NO COLOQUE ningún material combustible en el aparato, como papel, cartón, plástico, espuma de poliestireno o madera.

NO LIMPIE el aparato con estropajos metálicos ni lana de acero. Pueden desprenderse fragmentos y tocar los componentes eléctricos, generando un riesgo de descarga eléctrica, quemaduras u otras lesiones personales.

Cable de alimentación

Se suministra un cable de alimentación corto para reducir los riesgos derivados de engancharse, enredarse y tropezar. Este aparato utiliza un enchufe de tres clavijas con toma de tierra. Para reducir el riesgo de descarga eléctrica:

SOLAMENTE debe conectar el cable de alimentación a una toma eléctrica con puesta a tierra.

NO RETIRE la toma de TIERRA.

NO DEJE que el cable de alimentación cuelgue sobre los bordes o las encimeras, ni entre en contacto con superficies calientes como una llama, incluyendo la cocina.

NO USE tomas de alimentación que estén por debajo de la encimera.

NO USE el aparato con alargadores, convertidores o adaptadores, temporizadores o sistemas de control remoto independientes.

Electrical Cautions

El aparato contiene componentes eléctricos que suponen un riesgo de descarga eléctrica. Si no sigue estas instrucciones podría producirse una descarga eléctrica e incluso la muerte.

Para evitar una descarga eléctrica:

Seleccione Cancel (Cancelar) y retire el enchufe de la fuente de alimentación para desconectarlo. Desenchufe siempre el aparato cuando no lo use, además de antes de poner o quitar componentes o accesorios, y antes de limpiarlo. Para desenchufarlo, sujete el enchufe y tire para extraerlo de la toma. Nunca tire del propio cable.

DEJE que la unidad se enfríe antes de poner o quitar piezas o accesorios.

⚠ ATENCIÓN

REVISE regularmente el aparato y el cable de alimentación.

NO UTILICE el aparato si el cable de alimentación o el enchufe están dañados, o después de que el aparato haya funcionado mal o se haya caído o dañado en modo alguno. Para recibir asistencia, contacte con Atención al cliente por correo electrónico escribiendo a UKsupport@instantbrands.com (si se encuentra en el Reino Unido) o EUsupport@instantbrands.com (si se encuentra en la UE).

NO TRATE de sacar la comida mientras el aparato está enchufado a una toma eléctrica, ya que podría producirse una descarga eléctrica, quemaduras o lesiones personales y/o daños materiales.

NO TRATE de reparar, reemplazar o modificar los componentes del aparato, ya que podría producirse una descarga eléctrica u otra lesión personal, un incendio y/o daños materiales, y se anulará la garantía.

NO MANIPULE ninguno de los mecanismos de seguridad, ya que podrían producirse lesiones personales y/o daños materiales.

NO SUMERJA el cable de alimentación, el enchufe o el aparato en agua u otro líquido.

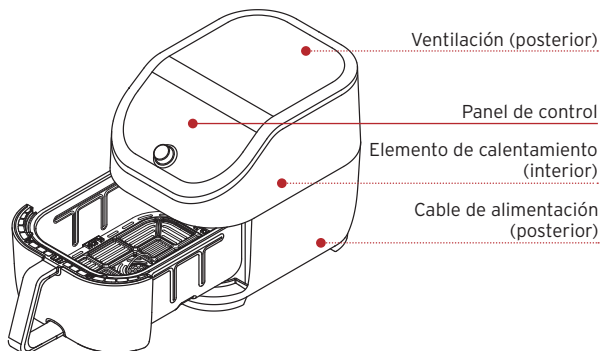
NO MOJE el aparato bajo el grifo.

NO USE el aparato en sistemas eléctricos que no sean de 220 - 240 V ~ 50 60 Hz.

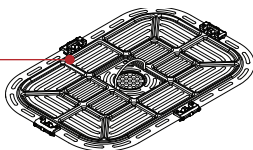
GUARDE ESTAS INSTRUCCIONES

CONTENIDO DE LA CAJA

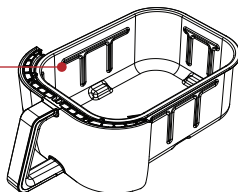
Freidora de aire



Bandeja de cocción



Cesta para freír con aire



Las ilustraciones son a modo de referencia y podrían diferir del producto real.

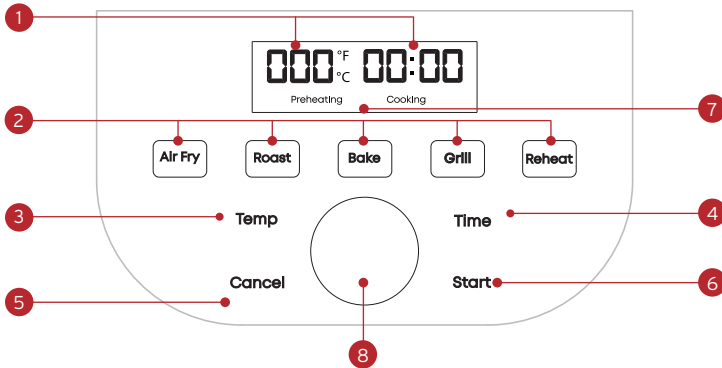
Recuerde reciclar

Hemos diseñado este embalaje teniendo en cuenta la sostenibilidad. Recicle todo lo que pueda reciclarse donde usted vive.

USO DE SU VORTEX

Panel de control

Hemos diseñado el panel de control para que sea simple de usar y fácil de leer.



1. Tiempo/temperatura
 - Tiempo de cocción
 - Temperatura de cocción
2. Programas inteligentes
 - Freír con aire
 - Tostar
 - Hornear
 - Grill
 - Recalentar
3. Temperatura
4. Tiempo
5. Cancelar
6. Comenzar
7. Mensajes de progreso
8. Dial de control

Encendido/apagado del sonido

- Cuando en la pantalla aparezca **OFF** (Apagado), mantenga pulsado Temp y Time (Temperatura y Tiempo) durante más de 5 segundos, hasta que en la pantalla aparezca S Off o S On (Sonido encendido/apagado).

Los avisos sonoros de seguridad (pitidos) no se pueden apagar.

Elección de la unidad de temperatura

Elija qué unidad de temperatura de cocción desea utilizar, Fahrenheit o Celsius.

- Cuando en la pantalla aparezca **OFF** (Apagado), mantenga pulsado el botón Temp (Temperatura) durante más de 5 segundos, hasta que en la pantalla aparezca °F o °C.

Guardar los ajustes personalizados

Puede configurar y guardar los ajustes de tiempo y temperatura que desee para cualquiera de los cinco *Programas inteligentes*.

1. Seleccione el Programa inteligente que desee configurar.
2. Pulse los botones Time (Tiempo) o Temp (Temperatura) y gire el dial de control para cambiar la hora y la temperatura.
3. Pulse el botón Start (Comenzar) para confirmar el cambio.

La próxima vez que use ese Programa inteligente se usarán la temperatura o el tiempo establecidos. Los ajustes realizados una vez iniciado el proceso de cocción no se guardarán.

Restaurar los Programas inteligentes a su configuración original

Restaurar Programas inteligentes individuales

- Cuando en la pantalla aparezca **OFF** (Apagado), mantenga pulsado uno de los botones Smart Programme (Programa inteligente) hasta que vuelva al modo Ready (Listo).

Restaurar todos los Programas inteligentes

- Cuando en la pantalla aparezca **OFF** (Apagado), mantenga pulsado el dial de control durante más de 3 segundos para restablecer el dispositivo a su configuración de fábrica.

Todos los tiempos de cocción y las temperaturas del Programa inteligente se restaurarán a los ajustes predeterminados de fábrica.

Cancelar un programa de cocción activo

Puede cancelar un programa de cocción en cualquier momento.

- Cuando en la pantalla aparezca «OFF, Preheating o active cooking programme» (Apagado, Precalentamiento o Programa de cocción activo), pulse Cancel (Cancelar). Dependiendo de la temperatura de la unidad, el ventilador interno puede seguir funcionando para enfriarla.

CONFIGURACIÓN INICIAL

Desembalaje

1. Saque su nueva freidora de aire Vortex Slim de la caja.
2. Extraiga todo el material de embalaje de dentro y alrededor de la freidora de aire.
3. Asegúrese de extraer todos los accesorios del interior de la cámara de cocción.
4. No quite la etiqueta informativa.

Limpiar antes de usar

1. Frote el interior con un paño húmedo. Use un paño limpio y seco para secar.
2. Lave los accesorios con agua caliente y jabón para lavar los platos. Aclárelos con agua limpia templada y use un paño seco para secar.

Ubicación

1. Coloque su freidora de aire Vortex Slim sobre una superficie estable, nivelada, alejada de material combustible y de fuentes de calor externas. No coloque la freidora de aire sobre otro aparato.
2. Asegúrese de dejar al menos 13 cm de espacio por encima y alrededor de todos los lados del aparato para permitir un flujo de aire suficiente.

Prueba de funcionamiento

Antes de usar su nueva freidora de aire Vortex Slim por primera vez, realice una prueba de funcionamiento para asegurarse de que todo funciona correctamente.

Para realizar una prueba de funcionamiento:

1. Enchufe la freidora de aire en una toma eléctrica. La pantalla mostrará OFF (Apagado).
2. Inserte la cesta de cocción pero no añada alimentos.
3. Seleccione el programa para freír con aire.
4. Seleccione la temperatura de cocción (205 °C).
5. Seleccione el tiempo de cocción (18 minutos).
6. Cuando en la pantalla aparezca Add Food (Añadir alimentos), saque y vuelva a colocar la cesta de cocción (no añada ningún alimento).
7. Cuando en la pantalla aparezca Turn Food (Dar la vuelta a los alimentos), espere 10 segundos a que se reanude el programa.
8. Una vez finalizado el programa de cocción, deje que la unidad se enfríe.

Ahora ya puede cocinar con su freidora de aire Instant Vortex Slim!

COCINAR

La freidora de aire Vortex Slim utiliza la circulación rápida de aire para cocinar o dejar crujientes los alimentos, y da a sus comidas el sabor rico y crujiente de los alimentos fritos, aunque con muy poco o nada de aceite.

⚠ ATENCIÓN

SUPERFICIES CALIENTES

La freidora de aire estará caliente durante y después de la cocción. Tenga siempre especial cuidado al extraer los alimentos de la cámara de cocción caliente. El hecho de tocar las superficies calientes podría provocar lesiones personales o daños materiales.

DEBE PERMITIRSE EL FLUJO DE AIRE

Para prevenir lesiones personales y/o daños materiales no bloquee la entrada de aire ni las rejillas de ventilación.

Qué cocinar

La cesta de la freidora de aire con la bandeja de cocción perforada permite el flujo de aire debajo y en torno a los alimentos, y debe usarse con la mayoría de los alimentos, como alitas, patatas y bocados de coliflor.

Solo en el programa Baking (Horneado), puede usar una fuente para hornear de metal o vidrio para contener alimentos como la mezcla para las tartas y la masa para los panes. Coloque la fuente para hornear dentro de la cesta de la freidora de aire para hornear.

Puede colocar los alimentos justo encima de la bandeja de cocción, sin usar papel de aluminio u otros elementos.

Preparación

Corte, pique, sazone, marine o reboce los ingredientes en función de la receta.

Cocinar

1. Introduzca la cesta para freír con aire en el aparato.

Cuando la cesta esté bien colocada en el interior, la parte frontal quedará alineada con la parte frontal del aparato.

2. Pulse **Air Fry** (Freír con aire).

3. Pulse **Temp/Time** (Temp/Tiempo) para ajustar la temperatura y el tiempo de cocción.
4. Pulse **Start** (Comenzar) para comenzar. La pantalla muestra **Preheating** (Precalentamiento) para indicar que el programa de cocción se ha puesto en marcha.

Consulte la página 10 para configurar el Programa inteligente.

Añadir alimentos

1. Cuando el aparato supere la fase de precalentamiento, la pantalla mostrará Add Food (Añadir alimentos).
2. Extraiga la cesta y coloque con cuidado los alimentos en la misma.
3. Vuelva a introducir la cesta para freír con aire en el aparato y se iniciará la cuenta atrás para la cocción.

Dar la vuelta

1. A la mitad de cocción, la pantalla mostrará Turn food (Dar la vuelta a los alimentos).
2. Extraiga la cesta de la freidora de aire de la unidad y gire, voltee o dé vuelta a los alimentos con cuidado.

Si no extrae la cesta después de que aparezca Turn Food (Dar la vuelta a los alimentos), continuará la cocción después de 10 segundos.

3. Introduzca la cesta para freír con aire en el aparato. La cocción continúa.

Finalizar

- Una vez completado el Programa inteligente, el aparato emite un pitido y la pantalla muestra End (Fin).

El pitido de "Comida preparada" sonará 1 minuto después del Fin (y sonará cada minuto durante 10 minutos en total) si la cesta no se abre.

PROGRAMAS INTELIGENTES

Freír con aire

Puede freír con aire alimentos como patatas, bocados de coliflor, alitas, nuggets y más.

Configuración	Predeterminada	Mínima	Máxima
Temperatura	205 °C	82 °C	205 °C
Tiempo de cocción	15 minutos (00:15)	1 minuto (00:01)	1 hora (01:00)

Para freír con aire

- Siga las instrucciones básicas para Freír con aire.
- Seleccione Air Fry (Freír con aire) como Programa inteligente.

Tostar

Puede tostar alimentos como carne de ternera, cordero, cerdo, aves de corral, verduras y patatas gratinadas, para que queden deliciosamente tiernos por dentro y dorados por fuera.

Setting	Default	Minimum	Maximum
Temperature	193°C	82°C	205°C
Cooking Time	18 minutes (00:18)	1 minute (00:01)	1 hour (01:00)

Tostar

- Siga las instrucciones básicas para Cocinar.
- Seleccione Roast (Tostar) como Programa inteligente.

Hornear

Puede hornear alimentos como panes, tartas, pastas y bollos, con la Vortex Slim a modo de «mini horno».

Configuración	Predeterminada	Mínima	Máxima
Temperatura	185 °C	82 °C	205°C
Tiempo de cocción	30 minutos (00:30)	1 minuto (00:01)	1 hora (01:00)

Hornear

- Siga las instrucciones básicas para Cocinar.
- Seleccione Bake (Hornear) como Programa inteligente.
- No es necesario dar la vuelta a los alimentos a la mitad del programa de cocción.

Deje aproximadamente 2,5 cm de espacio en torno a los lados de la fuente de horneado para que el calor circule uniformemente.

Grill

El grill actúa calentando directamente de arriba hacia abajo, y es perfecto para fundir queso sobre la sopa de cebolla y para los nachos.

Configuración	Predeterminada	Mínima	Máxima
Temperatura	205 °C	No ajustable	No ajustable
Tiempo de cocción	6 minutos (00:06)	1 minuto (00:01)	40 minutos (00:40)

Uso del grill

- Siga las instrucciones básicas para Cocinar.
- Seleccione Grill (Grill) como Programa inteligente.
- No es necesario dar la vuelta a los alimentos a la mitad del programa de cocción.

Recalentar

Aporte un toque crujiente a la pizza o las patatas sobrantes en solo unos minutos.

Configuración	Predeterminada	Mínima	Máxima
Temperatura	138 °C	149 °C	182 °C
Tiempo de cocción	10 minutos (00:10)	1 minuto (00:01)	1 hora (01:00)

Recalentar

- Siga las instrucciones básicas para Cocinar.
- Seleccione Reheat (Recalentar) como Programa inteligente.

Una vez iniciada la función Smart Cooking (Cocción inteligente), la pantalla mostrará la temperatura objetivo y el tiempo de cocción inmediatamente.

LIMPIEZA

Limpie su freidora de aire Vortex Slim después de cada uso. Desenchufe siempre la unidad y deje que todos los componentes se enfríen a temperatura ambiente antes de la limpieza. Antes de usar o almacenar la unidad, asegúrese de que todas las superficies estén secas.

⚠ ATENCIÓN

Para evitar una descarga eléctrica, desenchufe el aparato antes de limpiarlo.

NO SUMERJA el cable de alimentación, el enchufe o el aparato en agua u otro líquido, ya que podría causar una descarga eléctrica.

Componente	Instrucciones de limpieza
Bandeja de cocción	<ul style="list-style-type: none">• Se puede meter en el lavavajillas.*• Las bandejas de cocción llevan un revestimiento antiadherente. Evite utilizar utensilios de metal para limpiarlas.• No utilice productos de limpieza agresivos.
Cesta para freír con aire extraíble	<ul style="list-style-type: none">• Se puede meter en el lavavajillas.*• La cesta lleva un revestimiento antiadherente. Evite utilizar utensilios de metal para limpiarlas.• No utilice productos de limpieza agresivos.
Cámara de cocción	<ul style="list-style-type: none">• Límpiela con un paño húmedo con jabón suave para lavar los platos.• Compruebe siempre la bobina calefactora y las paredes de la cámara de cocción para detectar restos de alimentos y salpicaduras de aceite, y límpielas si es necesario.• Asegúrese de que la bobina calefactora esté seca antes de encender la freidora de aire.• Para eliminar los residuos de alimentos y grasa cocinada de la cámara de cocción, pulverice una mezcla de bicarbonato y vinagre y frote para limpiarlo con un paño humedecido. En cuanto a las manchas difíciles, deje que la mezcla actúe sobre la zona afectada durante varios minutos antes de limpiarlas restregando.
Cable de alimentación	<ul style="list-style-type: none">• Límpielo con un paño o esponja suaves humedecidos. Frote para secarlo.

**Puede producirse cierta decoloración después de usar el lavavajillas, pero no afectará a la seguridad o el rendimiento de la cocción.*

RESOLUCIÓN DE PROBLEMAS

Problema	Causa	Solución
La freidora de aire no se enciende.	El aparato no está bien enchufado.	<ul style="list-style-type: none"> Asegúrese de que el cable de alimentación esté bien enchufado en la toma.
	La toma no tiene alimentación.	<ul style="list-style-type: none"> Pruebe a enchufar otro aparato en la misma toma para comprobar el circuito.
	La cesta de la freidora de aire no se puede insertar por completo.	<ul style="list-style-type: none"> Asegúrese de que la cesta de la freidora de aire está insertada totalmente.
Sale humo negro de la freidora de aire.	Está usando un aceite con un punto de humo bajo.	<ul style="list-style-type: none"> Cancele el Programa inteligente, desenchufe el aparato y deje que se enfríe a temperatura ambiente. Elija un aceite neutro con un punto de humo alto, como colza, aguacate, soja, girasol o salvado de arroz.
	Hay residuos de alimentos en la bobina calefactora, en la cámara de cocción o en los accesorios.	<ul style="list-style-type: none"> Cancele el Programa inteligente, desenchufe el aparato y deje que se enfríe a temperatura ambiente. Extraiga todos los accesorios de la cámara de cocción y límpiela, al igual que todos los accesorios, exhaustivamente.
	El aparato no funciona correctamente.	<ul style="list-style-type: none"> Póngase en contacto con Atención al cliente.
Sale humo blanco de la freidora de aire.	Está cocinando alimentos con un alto contenido en grasa como beicon, salchichas y hamburguesas.	<ul style="list-style-type: none"> Evite freír alimentos con un alto contenido en grasa. Compruebe la cámara de cocción por su hubiera un exceso de aceite y/o grasa y extráigalos según sea necesario antes de freír con aire.
	El agua se evapora, produciendo un vapor espeso.	<ul style="list-style-type: none"> Seque suavemente los alimentos húmedos antes de freírlos con aire. No añada agua u otro líquido a la cámara de cocción al freír con aire.
	Los condimentos se han introducido en el elemento.	<ul style="list-style-type: none"> Tenga cuidado al condimentar la comida. Pulverice verduras y carnes con aceite antes de condimentarlas para que el aliño se adhiera.

CÓDIGOS DE ERROR

Si el panel de control muestra un código de error de esta lista, es que hay un problema con la freidora de aire. Estas son algunas acciones a llevar a cabo para solucionar el problema.

Problema	Causa	Solución
E1	Circuito abierto.	<ul style="list-style-type: none">• Póngase en contacto con Atención al cliente.
E2	Cortocircuito en el sensor de temperatura.	<ul style="list-style-type: none">• Póngase en contacto con Atención al cliente.

MÁS INFORMACIÓN

Le espera todo un mundo de información y ayuda sobre la Vortex Slim Air Fryer. Estos son algunos de los recursos más valiosos.

Registre su producto

instantbrands.co.uk/product-registration

Póngase en contacto con Atención al cliente

instantbrands.co.uk/support

UKSupport@instantbrands.com

EUSupport@instantbrands.com

Instant Brands® Connect App con más de 100 recetas

iOS and Android app stores

Tablas de cocción y más recetas

instantbrands.co.uk/recipes

Sustitución de piezas y accesorios

instantbrands.co.uk/product-category/instant

Únase a la comunidad



ESPECIFICACIONES DEL PRODUCTO

Modelo	Volumen	Voltaje	Potencia	Peso	Dimensiones
AFB6002BK	5,7 litros	1700 W	220-240 V ~ 50-60 Hz	4,84 kg	cm: 45,2 L x 25,9 An x 30,1 Al

GARANZIA

Garanzia Limitata

Instant Brands (Ireland) Limited e Instant Brands Inc. (congiuntamente, l'“Azienda”) garantiscono che questo prodotto è esente da difetti di fabbricazione e di materiali, in normali condizioni di uso domestico, per un (1) anno dalla data d'acquisto originale. La presente Garanzia Limitata è valida solo per l'acquirente originario e per l'uso nell'UE.

La presente garanzia non copre gli apparecchi usati al di fuori dell'UE. Per ricevere assistenza nell'ambito di questa Garanzia Limitata occorre presentare la prova della data di acquisto originale e, su richiesta, restituire l'apparecchio. A condizione che il prodotto venga usato e ne sia eseguita la manutenzione secondo le istruzioni con esso fornite (disponibili anche all'indirizzo instantbrands.co.uk) l'Azienda provvederà, a sua esclusiva discrezione, a: (i) riparare i difetti di fabbricazione e materiali; o (ii) sostituire l'apparecchio. Qualora l'apparecchio venga sostituito, la Garanzia Limitata sull'apparecchio sostitutivo scadrà entro 12 mesi dalla data dell'acquisto originario.

L'Azienda non si fa carico dei costi di spedizione per gli interventi coperti da garanzia.

Limitazioni ed esclusioni

Qualsiasi modifica o tentata modifica dell'apparecchio può inficiarne il funzionamento sicuro e causare seri danni a persone o cose. Qualsiasi modifica o tentata modifica dell'apparecchio o di un suo componente renderà nulla la garanzia, salvo nel caso in cui tale modifica o alterazione sia stata espressamente autorizzata dall'Azienda.

La presente garanzia non copre (1) la normale usura dei componenti; (2) i danni risultanti da un uso negligente, irragionevole o improprio del prodotto, da un montaggio o uno smontaggio scorretti, da un uso contrario alle istruzioni, da una mancata manutenzione ragionevolmente necessaria, da danni causati da forza maggiore (come incendi, alluvioni, uragani e tornado) o da eventuali riparazioni o modifiche effettuate, salvo nel caso in cui l'intervento sia stato espressamente indicato e autorizzato dall'Azienda; e (3) le riparazioni necessarie a seguito di un uso diverso dal normale uso domestico oppure contrario alle istruzioni pubblicate per l'utente o l'operatore.

Nei limiti ammessi dalla legge vigente, l'eventuale responsabilità civile dell'Azienda per prodotti o componenti che appaiano difettosi si limita alla riparazione o sostituzione del prodotto o di un suo componente e non può superare il prezzo d'acquisto di un prodotto sostitutivo paragonabile. Salvo per quanto espressamente ivi disposto e nella misura permessa dalla legge, (1) l'Azienda non fornisce garanzie, condizioni o dichiarazioni, esplicite o implicite, uso, uso commerciale o diverso rispetto all'apparecchio o a sue parti coperte da questa garanzia e (2) l'Azienda declina ogni responsabilità per danni indiretti, incidentali o consequenziali derivanti da o connessi all'uso o alle prestazioni dell'apparecchio o danni derivanti da perdite economiche, perdite di proprietà, perdite di ricavi o profitti, perdite di godimento o uso, costi per la rimozione, installazione o altri danni consequenziali di qualsiasi tipo o natura. L'utente può usufruire di diritti e rimedi in base alle leggi applicabili, in aggiunta a eventuali diritti o rimedi che possano essere disponibili nell'ambito di questa garanzia limitata.

GARANZIA

Per registrare l'apparecchio, instantbrands.co.uk/product-registration/ È richiesto il nome, un indirizzo e-mail, il nome del negozio, la data di acquisto, il numero e il codice seriale del modello (riportati entrambi sull'apparecchio). La registrazione permette di rimanere informati su novità e ricette, nonché di essere contattati per eventuali avvisi di sicurezza relativi al prodotto. Effettuando la registrazione, l'utente riconosce di avere letto e compreso le istruzioni per l'uso e le avvertenze fornite con l'apparecchio.

Servicio de Garantía

Para disfrutar del servicio de garantía, póngase en contacto con el departamento de Atención al cliente creando un recibo de asistencia en línea en [Instantbrands.co.uk/support/](https://instantbrands.co.uk/support/). Si no podemos solucionar el problema, podríamos pedirle que envíe el aparato al departamento de Servicio para inspeccionar su calidad. Instant Brands no asumirá los gastos de envío relacionados con el servicio de garantía. Al devolver el aparato, indique su nombre, domicilio, dirección de correo electrónico, número de teléfono y prueba de la fecha de compra original además de la descripción del problema que ha observado en el aparato.

Instant Brands (Ireland) Limited,
Suite 6, Rineanna House,
Shannon Free Zone,
Shannon, Co Clare, Ireland, V14 CA36.
Email: EUSupport@instantbrands.com
Telephone: +44 (0) 3331 230051

L'ultimo aggiornamento della presente garanzia risale al 1° settembre 2019 e si applica a tutti i prodotti venduti a partire dal [1° novembre 2019]. Ai prodotti acquistati prima di tale data, si applica la versione della garanzia precedente.

Smaltimento

Questo apparecchio è conforme alla direttiva RAEE 2012/19/UE sullo smaltimento di apparecchi elettrici ed elettronici (RAEE). Inoltre, è conforme alla direttiva europea sulla compatibilità elettromagnetica (EMC) 2014/30/UE e relativi emendamenti e alla direttiva sulla bassa tensione (LVD) 2014/35/UE e relativi emendamenti. Questa marcatura indica che il prodotto non deve essere smaltito con altri rifiuti domestici all'interno dell'UE. Per evitare che lo smaltimento incontrollato dei rifiuti causi possibili danni all'ambiente o alla salute dell'uomo, smaltire l'apparecchio in modo responsabile al fine di promuovere il riutilizzo sostenibile delle materie prime. Per restituire il vecchio apparecchio, servirsi dei sistemi di reso e raccolta oppure contattare il Centro assistenza per ottenere maggiori informazioni sullo smaltimento e su RAEE.



Instant Brands (EMEA) Limited

1 Christchurch Way, Woking, Surrey,
GU21 6JG, Reino Unido

Instant Brands (Irlanda) Limited

Suite 6, Rineanna House, Shannon
Free Zone, Shannon, Co Clare,
Irlanda, V14 CA36

[instantbrands.co.uk](https://www.instantbrands.co.uk)

© 2022 Instant Brands LLC
INSTANT e INSTANT BRANDS son
marcas registradas de Instant
Brands Holdings Inc.

inizia subito

FRIGGITRICE AD ARIA INSTANT™
VORTEX™ SLIM DA 5,7 L
MANUALE UTENTE

Instant™

Ecco

la tua nuova friggitrice ad aria Instant™ Vortex™ Slim!

La friggitrice ad aria Instant Vortex Slim ti aiuta a cucinare piatti deliziosi con meno olio e meno seccature. Speriamo che ti innamorerai della friggitrice ad aria e che la userai per molti anni!

Comincia a usare la tua Friggitrice ad aria Vortex Slim!



Scansiona per iniziare!

Per rendere la tua esperienza in cucina con Instant il più semplice possibile, abbiamo creato 4 video dimostrativi. Scansiona il codice QR e segui i passaggi per diventare subito uno Chef Instant!

www.instantbrands.co.uk/get-started



Scarica l'app Instant Brands® Connect per sfogliare più di 100 ricette.



Visita il canale YouTube di Instant Brands UK per guardare i video dimostrativi e farti ispirare da nuove ricette.



Entra in contatto con la Community Facebook di Instant Pot Italia e lasciati ispirare dai consigli, dai trucchi e dalle ricette di questo gruppo molto attivo di chef Instant!

⚠ AVVERTIMENTO

Prima di utilizzare la tua nuova Vortex, leggi tutte le istruzioni, comprese le istruzioni di sicurezza e la Garanzia. La mancata osservanza delle misure di sicurezza e delle istruzioni può comportare lesioni personali e/o danni materiali.

INDICE

Precauzioni importanti	2
Cosa c'è nella scatola	7
Utilizzare la tua Vortex	8
Preparazione iniziale	11
Cottura	13
Programmi Smart	15
Risoluzione dei problemi	18
Codici di errore	19
Per saperne di più	20
Specifiche del prodotto	20
Garanzia	21



AVVERTENZE DI SICUREZZA

⚠ AVVERTIMENTO

LEGGERE TUTTE LE ISTRUZIONI

Dove mettere l'apparecchio

ASSICURARSI di appoggiare l'apparecchio su un piano di lavoro. Usarlo sempre su una superficie piana, stabile e non infiammabile.

NON mettere l'apparecchio sopra o vicino a un fornello a gas/ elettrico o a un forno caldi.

NON utilizzare l'apparecchio in prossimità di acqua o fiamme libere.

NON usare all'aperto. Tenere lontano dalla luce solare diretta.

NON appoggiarla su superfici che potrebbero ostruire le ventole dell'apparecchio.

ASSICURARSI che tutte le parti siano asciutte e prive di residui di cibo prima dell'uso.

Uso generale

NON toccare le superfici dell'apparecchio che si riscaldano o eventuali accessori durante o immediatamente dopo la cottura perché potrebbero essere caldi.

ASSICURARSI di utilizzare le maniglie e le manopole dell'apparecchio.

ASSICURARSI di utilizzare guanti da forno quando si rimuovono gli accessori.

ASSICURARSI di posizionare gli accessori caldi su una superficie resistente al calore o su una piastra di cottura.

NON coprire il cestello della friggitrice ad aria o qualsiasi parte della friggitrice con carta stagnola. Altrimenti il forno potrebbe surriscaldarsi.

NON spostare l'apparecchio mentre è in uso.

⚠ AVVERTIMENTO

NON far mai usare l'apparecchio a bambini o persone con ridotte capacità fisiche, sensoriali o mentali. È necessario vigilare con attenzione quando si utilizza qualsiasi apparecchio vicino a bambini e persone con capacità ridotte. I bambini non devono giocare con l'apparecchio.

NON usare l'apparecchio per scopi diversi dall'uso domestico. Non è destinato all'uso commerciale.

NON lasciare l'apparecchio incustodito durante l'uso.

NON utilizzare l'apparecchio per più di 60 minuti ogni 2 ore.

Avvertenze quando si frigge ad aria

Quando la friggitrice ad aria è in uso, dalle prese d'aria uscirà dell'aria calda. Tenere le mani e il viso lontani dalle prese d'aria e prestare la massima attenzione quando si tolgono accessori caldi dall'apparecchio. In caso contrario, si può andare incontro a lesioni personali o danni materiali.

Durante la cottura, la temperatura interna dell'apparecchio raggiunge diverse centinaia di gradi. Per evitare lesioni, non inserire le mani senza protezioni nell'apparecchio fino a quando non si è raffreddato a temperatura ambiente.

NON usare un recipiente rivestito in ceramica o gres per la frittura ad aria.

NON ostruire le prese d'aria della friggitrice. Lasciare almeno 13 cm di spazio intorno alla friggitrice durante l'uso.

NON posizionare l'apparecchio sui fornelli caldi.

NON utilizzare l'apparecchio sopra o vicino a materiali combustibili come tovaglie e tende.

NON coprire le prese d'aria mentre la friggitrice è in funzione. Altrimenti gli alimenti non si cuoceranno e l'apparecchio potrebbe danneggiarsi.

NON riempire eccessivamente la friggitrice. Quando è troppo piena, gli alimenti possono entrare in contatto con l'elemento riscaldante, con conseguenti incendi, danni materiali e/o lesioni personali.

⚠ AVVERTIMENTO

NON versare olio nel recipiente interno. Se necessario, usare poco spray antiaderente sugli alimenti. L'uso di olio alimentare potrebbe causare lesioni personali e/o danni materiali.

ASSICURARSI di prestare attenzione con recipienti interni in materiali diversi dal metallo o dal vetro. In caso contrario, potrebbero verificarsi incendi, lesioni personali e/o danni materiali.

Se durante l'uso esce fumo nero dall'apparecchio, premere Cancel (Annulla) e scollegarlo immediatamente. Attendere che il fumo scompaia prima di aprire il cestello, aspettare che l'unità si raffreddi, quindi pulire accuratamente. Per ulteriori informazioni, consultare "Risoluzione dei problemi" in questo manuale utente.

ASSICURARSI di fare molta attenzione quando si sposta l'apparecchio con all'interno olio caldo o altri liquidi caldi.

ASSICURARSI di fare estrema attenzione quando si toglie il vassoio o si elimina il grasso caldo.

NON usare l'apparecchio per la frittura profonda.

Accessori

ASSICURARSI di usare solo gli accessori o i componenti autorizzati da Instant Brand LLC. L'uso di parti, accessori o componenti non raccomandati dal produttore può causare scosse elettriche o altre lesioni personali, incendi e/o danni materiali.

NON utilizzare gli accessori inclusi in forni a microonde, tostapane, forni a convezione o convenzionali, o su vetroceramiche, fornelli elettrici, cucine a gas o griglie da esterni.

⚠ AVVERTIMENTO

Cura e conservazione

ASSICURARSI di lasciare raffreddare l'apparecchio a temperatura ambiente prima di pulirlo o riporlo.

NON collocare materiali nell'apparecchio quando non è in uso.

NON collocare materiali combustibili nell'apparecchio, come carta, cartone, plastica, polistirolo o legno.

NON pulire l'apparecchio con pagliette metalliche. Alcuni pezzi della spugna possono staccarsi ed entrare in contatto con le parti elettriche, causando scosse, ustioni o altre lesioni personali.

Cavo di alimentazione

Viene fornito un cavo di alimentazione corto per non rischiare di restare impigliati o di inciampare sul cavo. Questo apparecchio è dotato di una spina a 3 poli con messa a terra. Per ridurre il rischio di folgorazione:

Collegare il cavo di alimentazione SOLO a una presa di corrente con messa a terra.

NON togliere la MESSA A TERRA.

NON lasciare che il cavo di alimentazione resti appeso sul bordo di tavoli o banconi o che entri in contatto con superfici calde o fiamme libere, compreso il piano di cottura.

NON utilizzare prese di corrente sotto il piano di lavoro.

NON usare con prolunghe, convertitori di potenza o adattatori, interruttori a tempo o sistemi di controllo remoto separati.

Avvertenze elettriche

L'apparecchio contiene componenti elettrici che possono presentare il rischio di scosse elettriche. L'inosservanza di queste istruzioni può causare scosse elettriche e/o la morte.

Per evitare scosse elettriche:

Per scollegare l'apparecchio, selezionare Cancel (Annulla) quindi rimuovere la spina dalla presa di corrente. Scollegare sempre

⚠ AVVERTIMENTO

la spina quando l'apparecchio non è in uso, prima di inserire o rimuovere parti o accessori e prima della pulizia. Per scollegare la spina, afferrarla e tirarla in direzione opposta alla presa. Non tirare mai il cavo di alimentazione.

ASSICURARSI di lasciare raffreddare l'unità prima di aggiungere o rimuovere parti o accessori.

ASSICURARSI di ispezionare regolarmente l'apparecchio e il cavo di alimentazione.

NON utilizzare l'apparecchio se il cavo di alimentazione o la spina sono danneggiati, o dopo un malfunzionamento dell'apparecchio o dopo che è caduto o si è danneggiato in qualsiasi modo. Per assistenza, contattare il Servizio clienti via e-mail all'indirizzo UKsupport@instantbrands.com (se vi trovate nel Regno Unito) o EUsupport@instantbrands.com (se vi trovate nell'UE).

NON smuovere il cibo mentre l'apparecchio è collegato a una presa elettrica, per evitare il rischio di scosse elettriche, ustioni, altre lesioni personali e/o danni materiali.

NON provare a riparare, sostituire o modificare i componenti dell'apparecchio, per evitare il rischio di scosse elettriche o altre lesioni personali, incendi e/o danni materiali, e di invalidare la garanzia.

NON manomettere nessuno dei meccanismi di sicurezza, per evitare il rischio di lesioni personali e/o danni materiali.

NON immergere il cavo di alimentazione, la spina o l'apparecchio in acqua o altri liquidi.

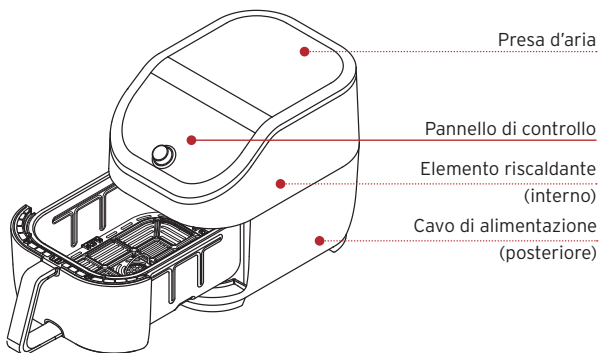
NON sciacquare l'apparecchio sotto il rubinetto.

NON utilizzare l'apparecchio con impianti elettrici con un voltaggio diverso da 220-240 V ~ 50-60 Hz.

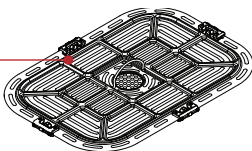
CONSERVA QUESTE ISTRUZIONI

COSA C'È NELLA SCATOLA

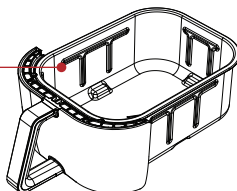
Friggitrice ad aria



Vassoio di cottura



Cestello della friggitrice ad aria



Le immagini proposte sono solo a scopo illustrativo e potrebbero differire dal prodotto reale.

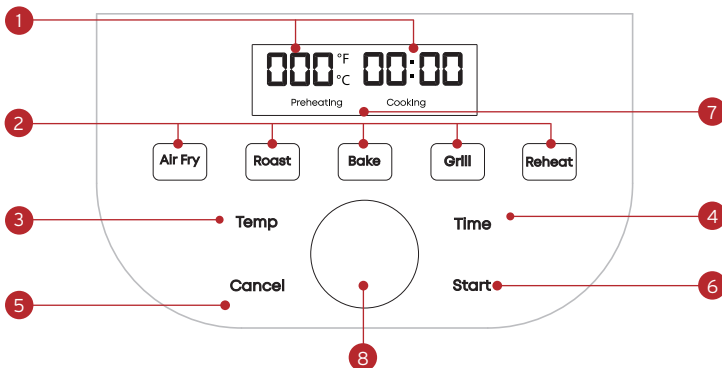
Ricorda di riciclare!

Abbiamo ideato l'imballaggio pensando alla sostenibilità. Si prega di riciclare tutto ciò che è possibile secondo le regole del tuo Paese.

UTILIZZARE LA TUA VORTEX

Pannello di controllo

Abbiamo progettato il pannello di controllo in modo che sia semplice da usare e facile da leggere.



- | | |
|--|---|
| <ol style="list-style-type: none">1. Tempo/Temperatura<ul style="list-style-type: none">• Tempo di cottura• Temperatura di cottura2. Programmi smart<ul style="list-style-type: none">• Frittura ad aria• Cottura arrosto• Cottura al forno• Grill• Riscalda | <ol style="list-style-type: none">3. Temperatura4. Tempo5. Annulla6. Avvio7. Messaggi di avanzamento8. Manopola di controllo |
|--|---|

Attivazione e disattivazione suoni

- Quando sul display compare OFF, premere e tenere premuti i pulsanti **Temp e Time** per 5+ secondi fino a quando il display non mostra **S Off** (Suono spento) o **S On** (Suono acceso).

Gli avvisi acustici di sicurezza (bip) non possono essere disattivati.

Scelta dell'unità di temperatura

Scegliere l'unità di temperatura di cottura che si desidera utilizzare, Fahrenheit o Celsius.

- Quando sul display compare OFF, premere e tenere premuto il pulsante Temp per 5+ secondi fino a quando il display non mostra °F o °C.

Salva impostazioni personalizzate

È possibile impostare e salvare le impostazioni personalizzate di tempo e temperatura per uno qualsiasi dei sei *programmi smart*.

1. Selezionare il programma smart che si desidera impostare.
2. Premere i pulsanti Time o Temp e usare la manopola di controllo per cambiare il tempo o la temperatura.
3. Premere il pulsante Start (Avvio) per confermare la modifica.

La prossima volta che si utilizza quel programma smart verrà utilizzata la temperatura o il tempo così impostati. Le regolazioni effettuate dopo l'inizio della cottura non saranno salvate.

Ripristina le impostazioni originali dei programmi smart

Ripristina i singoli programmi smart

- Quando il display visualizzerà OFF, tenere premuto uno dei pulsanti programma smart fino a quando il fornello non torna in modalità Ready.

Reimposta tutti i programmi smart

- Quando il display visualizzerà OFF, tenere premuta la manopola di controllo per più di 3 secondi per riportare il dispositivo alle impostazioni di fabbrica.

Tutti i tempi e le temperature di cottura dei programmi smart saranno ripristinati secondo le impostazioni predefinite.

Annulla il programma di cottura attivo

È possibile annullare qualsiasi programma di cottura in qualsiasi momento.

- Quando il display visualizzerà OFF, Preheating (preriscaldamento) o un programma di cottura attivo, premere Cancel (Annulla). A seconda della temperatura dell'unità, la ventola interna può continuare a funzionare per raffreddarla.

CONFIGURAZIONE INIZIALE

Disimballaggio

1. Togliere la nuova friggitrice ad aria Vortex Slim dalla confezione.
2. Togliere tutto il materiale di imballaggio che avvolge la friggitrice ad aria e quello al suo interno.
3. Assicurarci di rimuovere tutti gli accessori dall'interno della camera di cottura.
4. Non rimuovere l'etichetta di valutazione dalla friggitrice ad aria.

Pulire prima dell'uso

1. Pulire l'interno con un panno umido. Utilizzare un panno morbido e pulito per asciugare.
2. Lavare gli accessori con acqua calda e sapone per piatti. Risciacquare con acqua tiepida e pulita, e utilizzare un panno morbido per asciugare.

Dove mettere l'apparecchio

1. Appoggia la tua friggitrice ad aria Vortex Slim su una superficie piana e stabile, lontana da materiale infiammabile e fonti di calore esterne. Non mettere la friggitrice ad aria sopra un altro elettrodomestico.
2. Assicurarci di lasciare almeno 13 cm di spazio sopra e intorno a tutti i lati dell'apparecchio per consentire un flusso d'aria sufficiente.

Test di prova

Prima di utilizzare la nuova Friggitrice ad aria Vortex Slim per la prima volta, eseguire un test per verificare che tutto funzioni correttamente.

Per effettuare un test di prova:

1. Collegare l'apparecchio alla corrente. Il display visualizzerà OFF.
2. Inserire il cestello di cottura, ma senza aggiungere cibo.
3. Selezionare il programma Air Fry (Frittura ad aria).
4. Selezionare la temperatura di cottura (205 °C).
5. Selezionare il tempo di cottura (18 minuti).
6. Quando sul display compare Add Food (Aggiungi ingredienti), è sufficiente rimuovere e reinserire il cestello di cottura (non aggiungere cibo).
7. Quando il display mostra Turn Food (Gira ingredienti), attendere 10 secondi finché il programma non riprende.
8. Al termine del programma di cottura, lasciare raffreddare l'unità.

Ora sei pronto per cucinare un pasto con la tua friggitrice ad aria Instant Vortex Slim!

COTTURA

La friggitrice ad aria Vortex Slim usa la circolazione rapida dell'aria per friggere o cucinare gli alimenti, dando alle pietanze il sapore ricco e croccante di una frittura profonda, con poco o senza olio.

⚠ AVVERTIMENTO

SUPERFICI CALDE

La friggitrice ad aria sarà calda durante e dopo la cottura. Prestare sempre la massima attenzione quando si tolgono gli alimenti dalla camera di cottura quando è calda. Il contatto con superfici calde può provocare lesioni personali e/o danni materiali.

PERMETTERE LA CIRCOLAZIONE DELL'ARIA

Per evitare lesioni personali e/o danni materiali, non bloccare l'ingresso dell'aria o le prese d'aria.

Cosa cucinare

Il vassoio per la frittura ad aria è perforato per consentire all'aria di circolare sotto e intorno al cibo, e può essere utilizzato per la maggior parte degli alimenti, ad esempio alette e bocconcini di cavolfiore.

Solo per il programma Cottura al forno, è possibile utilizzare una teglia in metallo o vetro adatta all'uso in forno per cucinare l'impasto delle torte o del pane. Per cuocere, posizionare la teglia all'interno del cestello per la frittura ad aria.

È possibile posizionare il cibo direttamente sul vassoio di cottura, senza utilizzare una pellicola o altri rivestimenti.

Preparazione

Tagliare, tagliuzzare, condire, marinare o impastare gli ingredienti secondo la ricetta scelta.

Cottura

1. Inserire il cestello nell'unità.

Quando il cestello per friggere ad aria è inserito saldamente, la parte anteriore del cestello è a filo con la parte anteriore della friggitrice.

2. Premere **Air Fry** (Frittura ad aria).
3. Premere **Temp/Time** (Temperatura/Tempo) per regolare la temperatura e il tempo di cottura.
4. Premi **Avvio** per cominciare. Il display mostra **Preheating (Preriscaldamento)** per indicare che il programma di cottura è stato avviato.

Vedere pagina 10 per regolare le impostazioni dei programmi smart.

Aggiungi ingredienti

1. Quando la friggitrice supera la fase di preriscaldamento, il display visualizzerà **Add Food** (Aggiungi ingredienti).
2. Rimuovere il cestello e inserirvi con cura gli ingredienti.
3. Reinserire il cestello per la frittura ad aria e il timer con il conto alla rovescia si attiverà.

Girare

1. A metà cottura, sul display comparirà **Turn Food** (Gira alimenti).
2. Rimuovere il cestello dall'unità e rigirare, capovolgere o smuovere con cautela gli ingredienti.
Se non si rimuove il cestello dopo la comparsa del messaggio Turn Food (Gira alimenti), la cottura riprenderà dopo 10 secondi.
3. Inserire il cestello nell'unità. La cottura continua.

Fine cottura

- Al termine del programma smart, l'apparecchio emette un segnale acustico e il display visualizzerà **End (Fine)**.
Il segnale acustico "Cibo pronto" si attiva 1 minuto dopo End (Fine) (un segnale acustico al minuto per 10 minuti in totale) se il cestello non viene aperto.

PROGRAMMI SMART

Frittura ad aria

Puoi friggere ad aria alimenti come patatine fritte, bocconcini di cavolfiore, alette, crocchette e altro ancora.

Impostazioni	Predefinito	Minimo	Massimo
Temperatura	205 °C	82 °C	205 °C
Tempo di cottura	15 minuti (00:15)	1 minuto (00:01)	1 ora (01:00)

Per friggere ad aria

- Seguire le istruzioni di base per la Frittura ad aria.
- Selezionare "Air Fry" (Frittura ad aria) come programma smart.

Cottura arrosto

È possibile arrostitire cibi come manzo, agnello, maiale, pollame, verdure e patate con salsa, ottenendo cibi deliziosamente teneri all'interno e rosolati all'esterno.

Impostazioni	Predefinito	Minimo	Massimo
Temperatura	193 °C	82 °C	205 °C
Tempo di cottura	18 minuti (00:18)	1 minuto (00:01)	1 ora (01:00)

Per arrostitire

- Seguire le istruzioni di base per la Cottura.
- Selezionare "Roast" (Cottura arrosto) come programma Smart.

Cottura al forno

Puoi cuocere alimenti come pane, torte, paste e panini, usando la Vortex Slim come un "mini forno".

Impostazioni	Predefinito	Minimo	Massimo
Temperatura	185 °C	82 °C	205 °C
Tempo di cottura	30 minuti (00:30)	1 minuto (00:01)	1 ora (01:00)

Per cuocere al forno

- Seguire le istruzioni di base per la Cottura.
- Selezionare "Bake" (Cottura al forno) come programma Smart.
- Non c'è bisogno di girare gli ingredienti a metà cottura..

Lasciare circa 2,5 cm di spazio intorno ai lati della teglia per consentire al calore di circolare uniformemente.

Grill

Il programma Grill cuoce gli ingredienti utilizzando il riscaldamento diretto dall'alto verso il basso, perfetto per sciogliere il formaggio sopra una zuppa di cipolla o sopra i nachos.

Impostazioni	Predefinito	Minimo	Massimo
Temperatura	205 °C	Non regolabile	Non regolabile
Tempo di cottura	6 minuti (00:06)	1 minuto (00:01)	40 minuti (00:40)

Per grigliare

- Seguire le istruzioni di base per la Cottura.
- Selezionare "Grill" come programma Smart.
- Non c'è bisogno di girare gli ingredienti a metà cottura.

Riscalda

Ridona croccantezza agli avanzi di patatine o pizza in pochi minuti.

Impostazioni	Predefinito	Minimo	Massimo
Temperatura	138 °C	149 °C	182 °C
Tempo di cottura	10 minuti (00:10)	1 minuto (00:01)	1 ora (01:00)

Per riscaldare

- Seguire le istruzioni di base per la Cottura.
- • Selezionare "Reheat" Riscalda come programma Smart.

Una volta avviata questa funzione smart, il display mostrerà immediatamente la temperatura e il tempo di cottura, senza indicare il tempo per il preriscaldamento.

PULIZIA

Pulisci la tua friggitrice ad aria Vortex Slim dopo ogni uso. Scollegare sempre l'unità e lasciare raffreddare tutte le parti a temperatura ambiente prima della pulizia. Prima di usare e riporre l'apparecchio, assicurarsi che tutte le superfici siano asciutte.

⚠ AVVERTIMENTO

Per evitare scosse elettriche, scollegare la spina prima della pulizia.

NON immergere il cavo di alimentazione, la spina o l'apparecchio in acqua o altri liquidi, per evitare il rischio di scosse elettriche.

Parte	Istruzioni per la pulizia
Vassoio di cottura	<ul style="list-style-type: none">• Lavabile in lavastoviglie.*• I vassoi di cottura hanno un rivestimento antiaderente. Evitare utensili metallici durante la pulizia.• Evitare l'utilizzo di detersivi aggressivi.
Cestello friggitrice ad aria estraibile	<ul style="list-style-type: none">• Lavabile in lavastoviglie.*• Il cestello ha un rivestimento antiaderente. Evitare utensili metallici durante la pulizia.• Evitare l'utilizzo di detersivi aggressivi.
Camera di cottura	<ul style="list-style-type: none">• Pulire con un panno umido e sapone delicato per piatti.• Controllare sempre la serpentina e le pareti della camera di cottura per verificare la presenza di schizzi di olio e residui di cibo e pulire se necessario.• Assicurarsi che la serpentina sia asciutta prima di accendere la friggitrice ad aria.• Per rimuovere il grasso e i residui di cibo dalla camera di cottura, spruzzare con una miscela di bicarbonato di sodio e aceto e pulire con un panno umido. Per le macchie ostinate, lasciare riposare la miscela sulla zona interessata per diversi minuti prima di strofinare.
Cavo di alimentazione	<ul style="list-style-type: none">• Pulire con un panno umido o una spugnetta. Asciugare strofinando.

**Il lavaggio in lavastoviglie potrebbe causare scolorimento, ma questo non influirà sulla sicurezza o sulle prestazioni dell'elettrodomestico.*

RISOLUZIONE DEI PROBLEMI

Problema	Causa	Soluzione
La friggitrice ad aria non si accende	L'apparecchio non è collegato correttamente.	<ul style="list-style-type: none"> Assicurarsi che il cavo di alimentazione sia collegato saldamente alla presa.
	La presa non è alimentata.	<ul style="list-style-type: none"> Collegare un altro apparecchio nella stessa presa per testare il circuito.
	Il cestello della friggitrice ad aria non è inserito completamente.	<ul style="list-style-type: none"> Assicurarsi che il cestello della friggitrice ad aria sia completamente inserito.
Esce del fumo nero dalla friggitrice ad aria	Si sta utilizzando un olio con un basso punto di fumo.	<ul style="list-style-type: none"> Annullare il programma smart, scollegare l'apparecchio e lasciarlo raffreddare a temperatura ambiente. Usare un olio neutro con un punto di fumo elevato, come olio di canola, avocado, soia, cartamo o crusca di riso.
	Presenza di residui alimentari sulla serpentina, nella camera di cottura o sugli accessori.	<ul style="list-style-type: none"> Annullare il programma smart, scollegare l'apparecchio e lasciarlo raffreddare a temperatura ambiente. Rimuovere tutti gli accessori dalla camera di cottura e pulire accuratamente la camera di cottura e tutti gli accessori.
	Malf funzionamento dell'apparecchio.	<ul style="list-style-type: none"> Contattare l'Assistenza clienti.
Esce del fumo bianco dalla friggitrice ad aria	Si stanno cucinando cibi ad alto contenuto di grassi, come pancetta, salsiccia e hamburger.	<ul style="list-style-type: none"> Evitare di friggere ad aria alimenti ad alto contenuto di grassi. Controllare la camera di cottura per verificare la presenza di olio e/o grasso in eccesso e se necessario rimuovere accuratamente prima di friggere ad aria.
	L'acqua sta evaporando, producendo vapore denso.	<ul style="list-style-type: none"> Asciugare gli ingredienti umidi prima di friggere ad aria. Non aggiungere acqua o altri liquidi alla camera di cottura quando si frigge ad aria.
	Il condimento è saltato sull'elemento riscaldante.	<ul style="list-style-type: none"> Prestare attenzione quando si condiscono gli ingredienti. Spruzzare le verdure e le carni con olio prima di condire per far sì che il condimento rimanga attaccato agli ingredienti.

CODICI DI ERRORE

Se il pannello di controllo visualizza un codice di errore presente in questo elenco, si è verificato un problema con la friggitrice ad aria. Qui di seguito le azioni che occorre intraprendere per risolvere il problema.

Problema	Causa	Soluzione
E1	Circuito aperto.	• Contattare l'Assistenza clienti.
E2	Cortocircuito del sensore di temperatura.	• Contattare l'Assistenza clienti.

PER SAPERNE DI PIÙ

Ci sono un'infinità di informazioni e risorse di assistenza sulle friggitrice ad aria Vortex Slim. Ecco alcune delle risorse più utili.

Registrare il prodotto

instantbrands.co.uk/product-registration

Contattare l'Assistenza clienti

instantbrands.co.uk/support

UKSupport@instantbrands.com

EUSupport@instantbrands.com

App Instant Brands® Connect con oltre 100 ricette

iOS and Android app stores

Tabelle di cottura e altre ricette

instantbrands.co.uk/recipes

Pezzi di ricambio e accessori

instantbrands.co.uk/product-category/instant

Entra a far parte della community



SPECIFICHE DEL PRODOTTO

Modello	Volume	Potenza	Alimentazione	Peso	Dimensioni
AFB6002BK	5,7 litri	1700 W	220-240 V ~ 50-60 Hz	4,84 kg	cm: 45,2 L x 25,9 P x 30,1 H

GARANZIA

Garanzia Limitata

Instant Brands (Ireland) Limited e Instant Brands Inc. (congiuntamente, l'“Azienda”) garantiscono che questo prodotto è esente da difetti di fabbricazione e di materiali, in normali condizioni di uso domestico, per un (1) anno dalla data d'acquisto originale. La presente Garanzia Limitata è valida solo per l'acquirente originario e per l'uso nell'UE. La presente garanzia non copre gli apparecchi usati al di fuori dell'UE. Per ricevere assistenza nell'ambito di questa Garanzia Limitata occorre presentare la prova della data di acquisto originale e, su richiesta, restituire l'apparecchio. A condizione che il prodotto venga usato e ne sia eseguita la manutenzione secondo le istruzioni con esso fornite (disponibili anche all'indirizzo instantbrands.co.uk) l'Azienda provvederà, a sua esclusiva discrezione, a: (i) riparare i difetti di fabbricazione e materiali; o (ii) sostituire l'apparecchio. Qualora l'apparecchio venga sostituito, la Garanzia Limitata sull'apparecchio sostitutivo scadrà entro 12 mesi dalla data dell'acquisto originario. L'Azienda non si fa carico dei costi di spedizione per gli interventi coperti da garanzia.

Limitazioni ed esclusioni

Qualsiasi modifica o tentata modifica dell'apparecchio può inficiarne il funzionamento sicuro e causare seri danni a persone o cose. Qualsiasi modifica o tentata modifica dell'apparecchio o di un suo componente renderà nulla la garanzia, salvo nel caso in cui tale modifica o alterazione sia stata espressamente autorizzata dall'Azienda.

La presente garanzia non copre (1) la normale usura dei componenti; (2) i danni risultanti da un uso negligente, irragionevole o improprio del prodotto, da un montaggio o uno smontaggio scorretti, da un uso contrario alle istruzioni, da una mancata manutenzione ragionevolmente necessaria, da danni causati da forza maggiore (come incendi, alluvioni, uragani e tornado) o da eventuali riparazioni o modifiche effettuate, salvo nel caso in cui l'intervento sia stato espressamente indicato e autorizzato dall'Azienda; e (3) le riparazioni necessarie a seguito di un uso diverso dal normale uso domestico oppure contrario alle istruzioni pubblicate per l'utente o l'operatore. Nei limiti ammessi dalla legge vigente, l'eventuale responsabilità civile dell'Azienda per prodotti o componenti che appaiano difettosi si limita alla riparazione o sostituzione del prodotto o di un suo componente e non può superare il prezzo d'acquisto di un prodotto sostitutivo paragonabile. Salvo per quanto espressamente ivi disposto e nella misura permessa dalla legge, (1) l'Azienda non fornisce garanzie, condizioni o dichiarazioni, esplicite o implicite, uso, uso commerciale o diverso rispetto all'apparecchio o a sue parti coperte da questa garanzia e (2) l'Azienda declina ogni responsabilità per danni indiretti, incidentali o consequenziali derivanti da o connessi all'uso o alle prestazioni dell'apparecchio o danni derivanti da perdite economiche, perdite di proprietà, perdite di ricavi o profitti, perdite di godimento o uso, costi per la rimozione, installazione o altri danni consequenziali di qualsiasi tipo o natura. L'utente può usufruire di diritti e rimedi in base alle leggi applicabili, in aggiunta a eventuali diritti o rimedi che possano essere disponibili nell'ambito di questa garanzia limitata.

GARANZIA

Per registrare l'apparecchio, instantbrands.co.uk/product-registration/ È richiesto il nome, un indirizzo e-mail, il nome del negozio, la data di acquisto, il numero e il codice seriale del modello (riportati entrambi sull'apparecchio). La registrazione permette di rimanere informati su novità e ricette, nonché di essere contattati per eventuali avvisi di sicurezza relativi al prodotto.

Effettuando la registrazione, l'utente riconosce di avere letto e compreso le istruzioni per l'uso e le avvertenze fornite con l'apparecchio.

Assistenza in garanzia

Per avvalersi della garanzia, contattare il nostro Servizio Clienti creando un ticket di assistenza online all'indirizzo [Instantbrands.co.uk/support/](https://instantbrands.co.uk/support/). Se non siamo in grado di risolvere il problema, potremmo richiedere di inviare l'apparecchio al reparto di assistenza per un'ispezione. Instant Brands non si fa carico dei costi di spedizione relativi al servizio di garanzia. Quando si restituisce l'apparecchio, inserire il proprio nome, indirizzo postale, indirizzo e-mail, numero di telefono e un documento che dimostri la data di acquisto originale, nonché una descrizione del problema riscontrato con l'apparecchio.

Instant Brands (Ireland) Limited,
Suite 6, Rineanna House,
Shannon Free Zone,
Shannon, Co Clare, Ireland, V14 CA36.

Email: EUSupport@instantbrands.com

Telephone: +44 (0) 3331 230051

L'ultimo aggiornamento della presente garanzia risale al 1° settembre 2019 e si applica a tutti i prodotti venduti a partire dal [1° novembre 2019]. Ai prodotti acquistati prima di tale data, si applica la versione della garanzia precedente.

Smaltimento

Questo apparecchio è conforme alla direttiva RAEE 2012/19/UE sullo smaltimento di apparecchi elettrici ed elettronici (RAEE). Inoltre, è conforme alla direttiva europea sulla compatibilità elettromagnetica (EMC) 2014/30/UE e relativi emendamenti e alla direttiva sulla bassa tensione (LVD) 2014/35/UE e relativi emendamenti. Questa marcatura indica che il prodotto non deve essere smaltito con altri rifiuti domestici all'interno dell'UE. Per evitare che lo smaltimento incontrollato dei rifiuti causi possibili danni all'ambiente o alla salute dell'uomo, smaltire l'apparecchio in modo responsabile al fine di promuovere il riutilizzo sostenibile delle materie prime. Per restituire il vecchio apparecchio, servirsi dei sistemi di reso e raccolta oppure contattare il Centro assistenza per ottenere maggiori informazioni sullo smaltimento e su RAEE.



Instant Brands (EMEA) Limited

1 Christchurch Way, Woking, Surrey,
GU21 6JG, Regno Unito

Instant Brands (Ireland) Limited

Suite 6, Rineanna House, Shannon
Free Zone, Shannon, Co Clare,
Irlanda, V14 CA36

[instantbrands.co.uk](https://www.instantbrands.co.uk)

© 2022 Instant Brands LLC

INSTANT e INSTANT BRANDS
sono marchi registrati di Instant
Brands Holdings Inc.